



PRODUCT SPECIFICATION

Product Name: SMD Buzzer

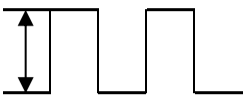
Part Number: SM09ET03AV3.6R16SH

Document No: _____

Date: 2021.05.31

DRAWING BY	CHECKED BY	APPROVED BY
CHEN YUAN	YUE QIN	JIN LI

1.ELECTRICAL AND ACOUSTICAL SPECIFICATION

NO.	Item	Unit	Specification	Condition
1	Rated Voltage	Vo-p	3.6	
2	Operating Volt	Vo-p	2.5-4.5	
3	Mean Current	mA	Max.110	Applying rated voltage 2730HZ square wave 1/2 duty
4	Coil Resistance	Ω	16.0±3.0	
5	Sound Output	dB	83/10cm	Distance at 10cm(A-weight free air), Applying rated voltage 2730HZ,square wave,1/2duty
6	Rated Frequency	Hz	2730	
7	Operating Temp	°C	-30-+70	
8	Storage Temp	°C	-40-+85	
9	Dimension	mm	φ9.0×H2.5	See attached drawing.
10	Weight	gram	0.5	
11	Material		LCP(Black)	
12	Terminal		SMD type	See attached drawing
13	Storage life	month	6	6 months preservation at room temp(25±3°C).Humidity40%
14	Environmental Protection Regulation		RoHS	

Test condition: TEMP=+25±2 °C Related humidity=65±5% Air pressure:860-1060mbar

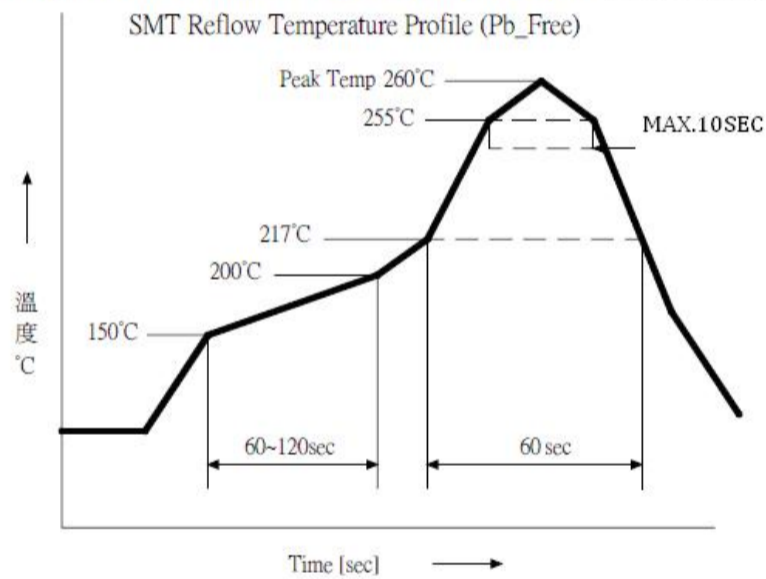
2.ENVIRONMENT TEST

No	Item	Test condition	Evaluation standard
1	High temp. test	After being placed in a chamber at +85°C for 96 hours.	After the test the part shall meet specifications without any
2	Low temp. test	After being placed in a chamber at -40°C for 96 hours.	

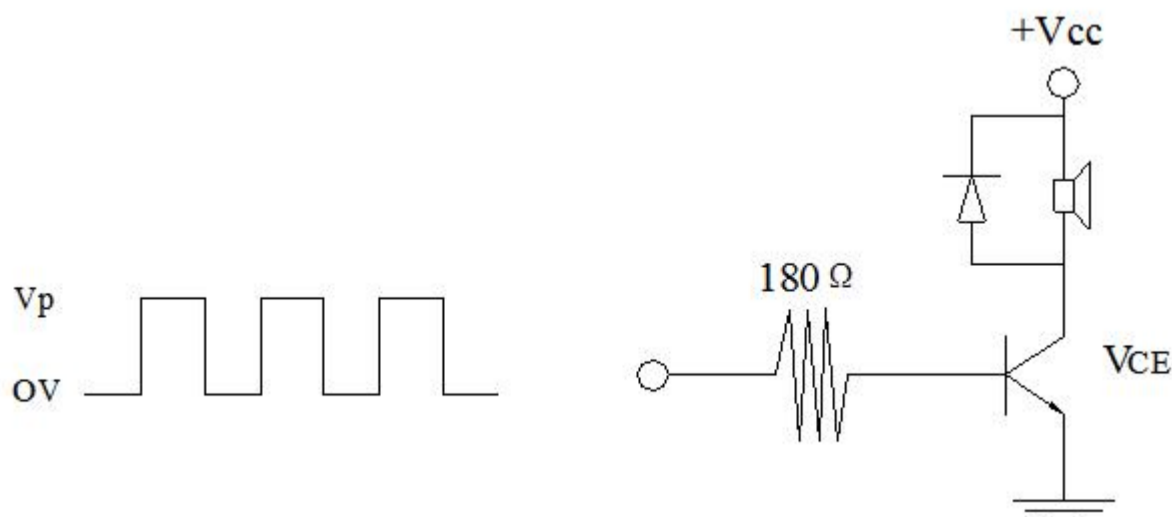
4.MECHANICAL CHARACTERISTICS

No	Item	Test condition	Evaluation standard
1	Terminal Mechanical Strength	Apply the terminal with 1Kg strength for 10±1 seconds	No damage and cutting off
2	Vibration	The part shall be subjected to a vibration cycle of 10Hz to 55Hz to 10Hz in a period of 1 minute. Total peak amplitude shall be 1.52mm(9.3G).The vibration test shall consist of 2 hours per axis in each three axes(X,Y,Z),Total 6 hours.	After the test the part shall meet specifications without any damage in appearance and performance except SPL.SPL should be in ±10dBA compared with initial one.
3	Drop test	The part only shall be dropped from a height of 75cm onto a 40mm thick wooden board 3 times in 3 axes(X,Y,Z),(a total of 9 times).	SPL.SPL should be in ±10dBA compared with initial one.

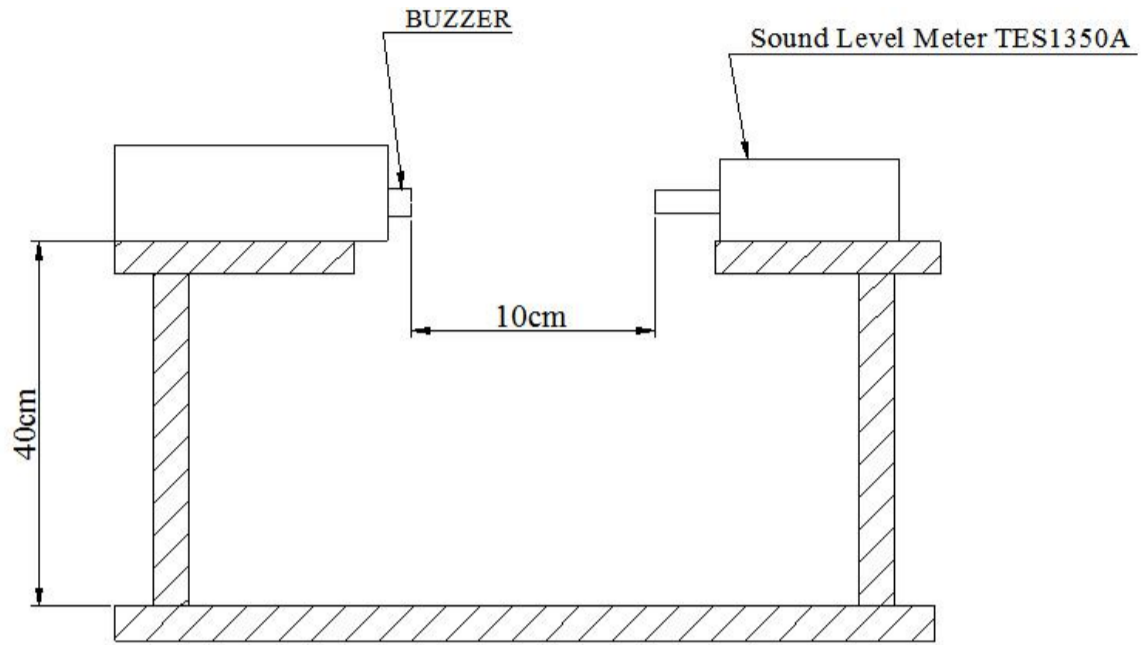
Recommended Temperature Profile For Reflow Oven 建議迴焊爐溫度曲線



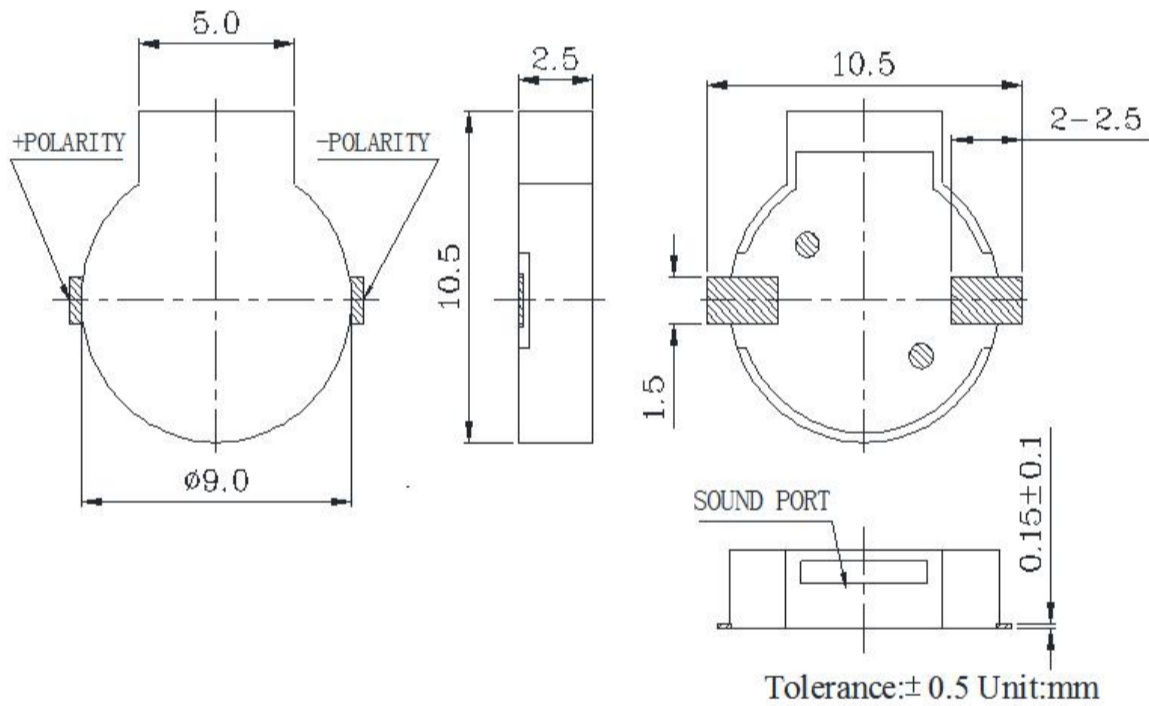
5.TESTING METHOD



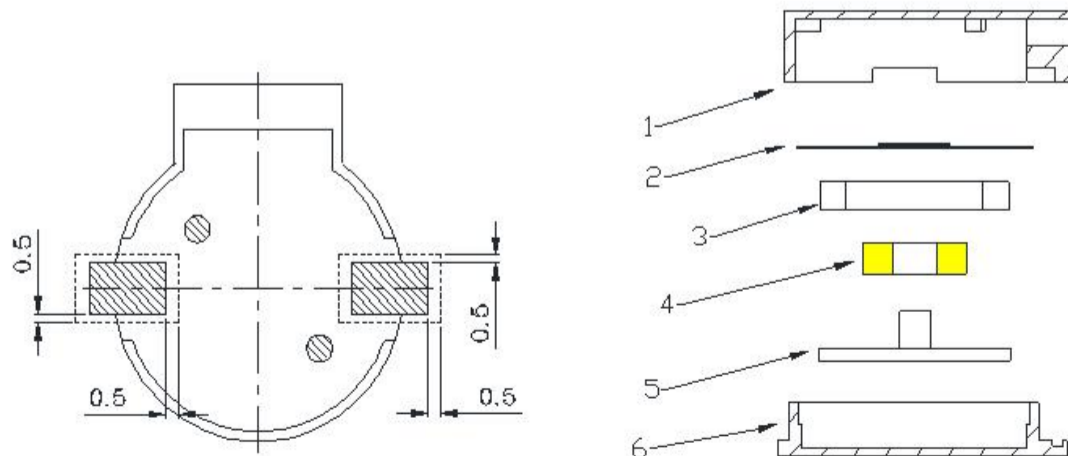
6.INSPECTION FIXTURE



7. DIMENSION

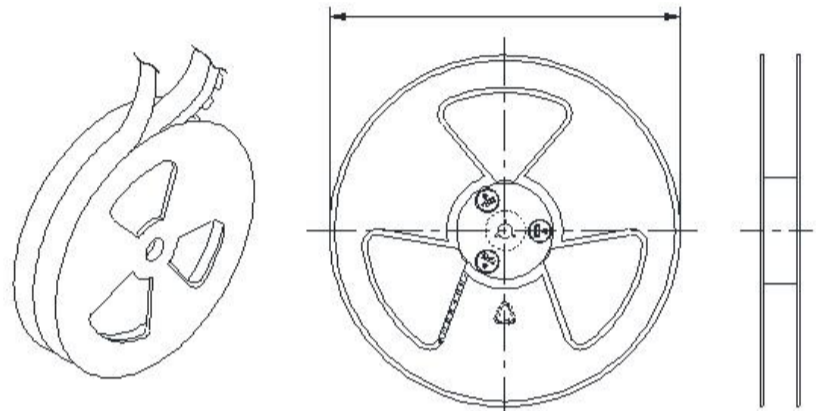


Recommended land pattern

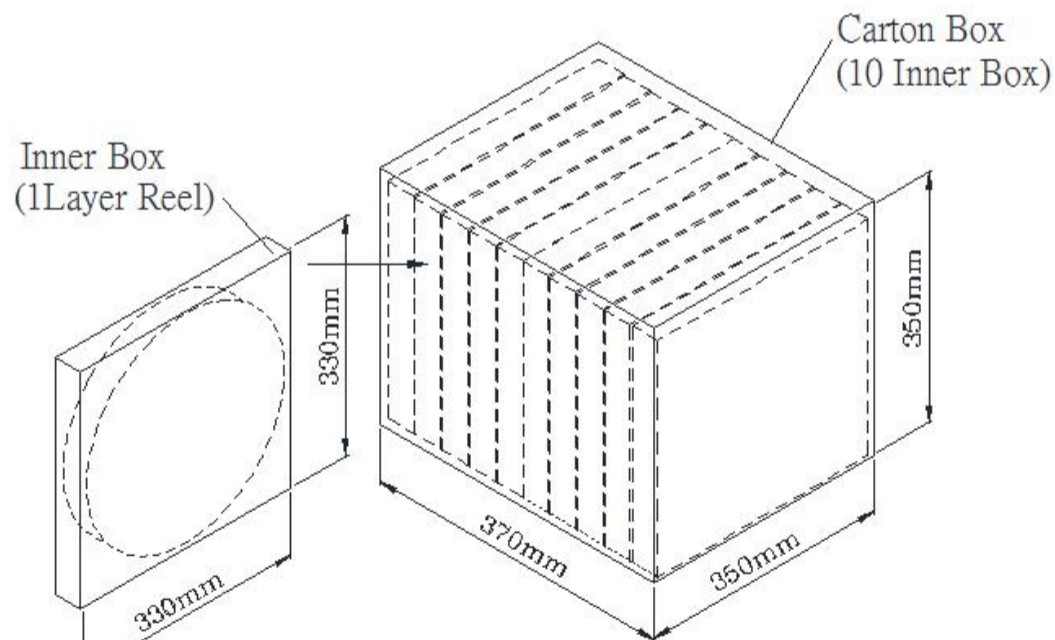
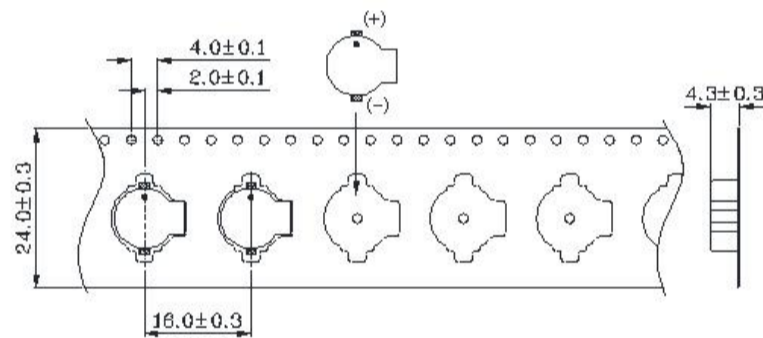


6	CASE	LQP	1
5	Core	Ferrum	1
4	Coil	Copper	1
3	Magnet ring	NdFeB	1
2	Diaphragm	Ferrum	1
1	CASE	LQP	1
Nb.	Components	Material	QTY

8. PACKING



1 Reel : 1000PCS



Inner Box	330mmx330mmx30mm	1x1000PCS=1000PCS
Carton Box	350mmx350mmx370mm	10x1000PCS=10,000PCS