

DESCRIPTION: Ultrasonic Sensor
MODEL: MSW-A11400H11TR

FEATURES

1. Dual Use: Transmitter and Receiver
2. Rugged sealed construction.
3. Cylindrical design allows for installation in various applications.
4. Short-range measurement capabilities.

APPLICATIONS

1. Level measurement
2. Automation control
3. Proximity
4. Obstacle avoidance
5. Robotics

PICTURE:

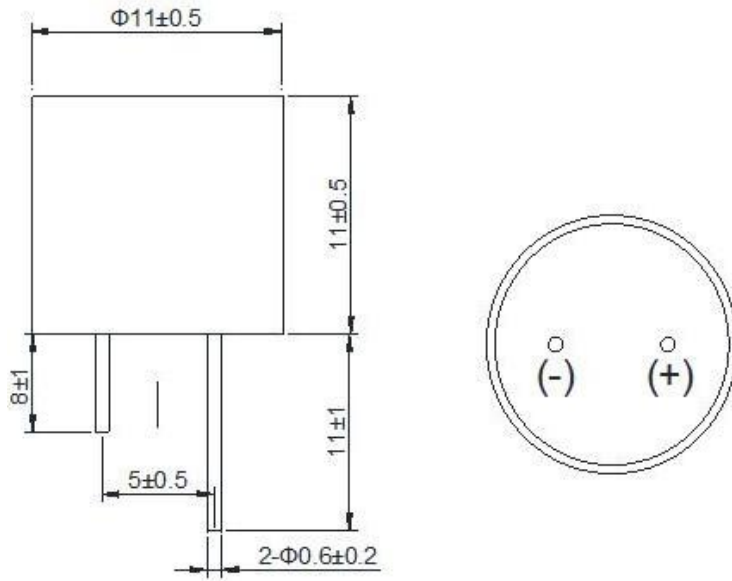


SPECIFICATIONS

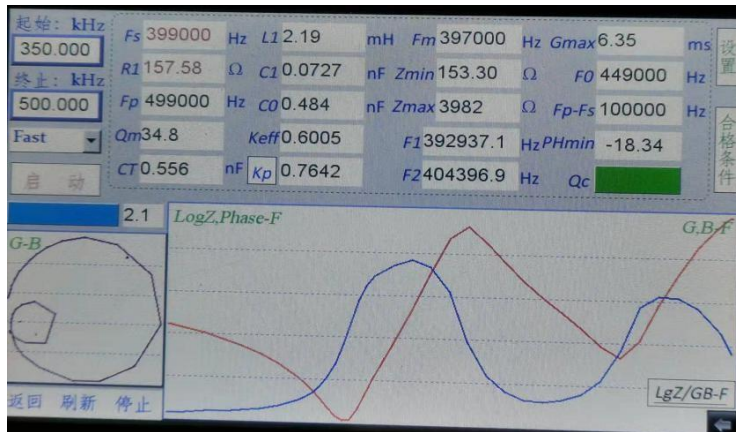
Item	Value
Using method	Transmitter and Receiver
Center frequency	400±15KHz (PV80A)
Capacitance	500±30% pF(at 1.0KHz)
Directivity	7±2°(-6dB)
Max.Input Voltage	400Vp-p
Detectable range	3-80cm
Ring time	≤5cm (200Vp-p, 400KHz.)
Echo	≥ 200mV (test plate 100×100mm PVC, distance 20cm)
Distance of direction	0.05-0.3m
Mean time between failures	5000h
Protection class	IP67
Housing material	Aluminum
Operating Temperature	-40~+80℃
Storage Temperature	-40~+85℃

MECHANICAL DRAWING

units:mm

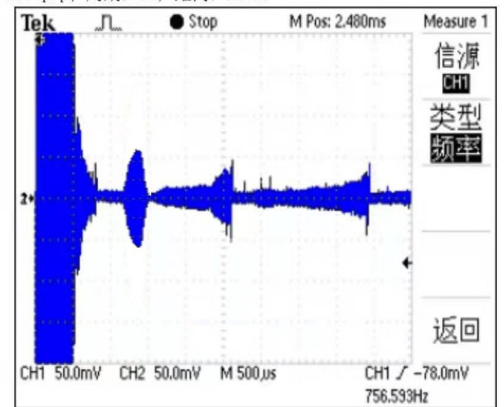


BEAM PATTERN

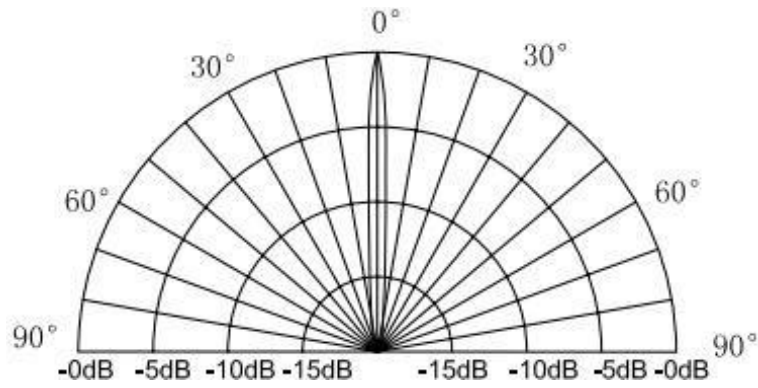


Frequency(kHz)

(发射电压: 200V_{p-p}; 周期: 50; 距离: 20cm)

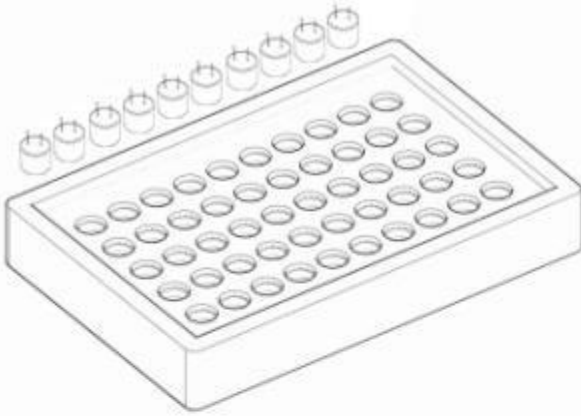


Sensitivity

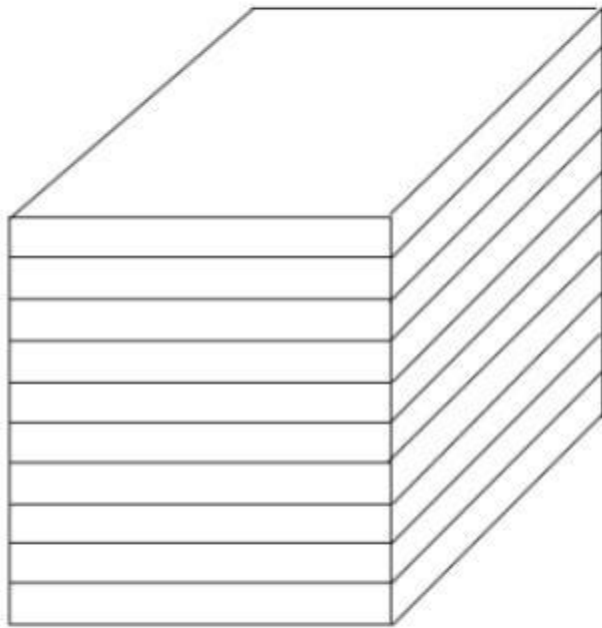


Directivity in Sound Pressure Level

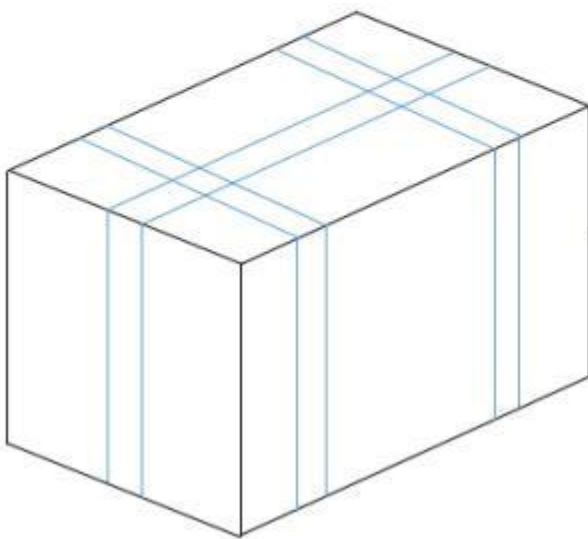
PACKING



50PCS/BOX
BOX SIZE:23.5*13.5*3CM



10BOXES/STACK, TOTAL 500PCS
STACK SIZE:23.5*13.5*31CM



1000PCS/CARTON
CARTON SIZE:28*28.5*24CM