



## PRODUCT SPECIFICATION

Product Name: Piezo Buzzer

Part Number: MSPT35A16W100V12

Document No: \_\_\_\_\_

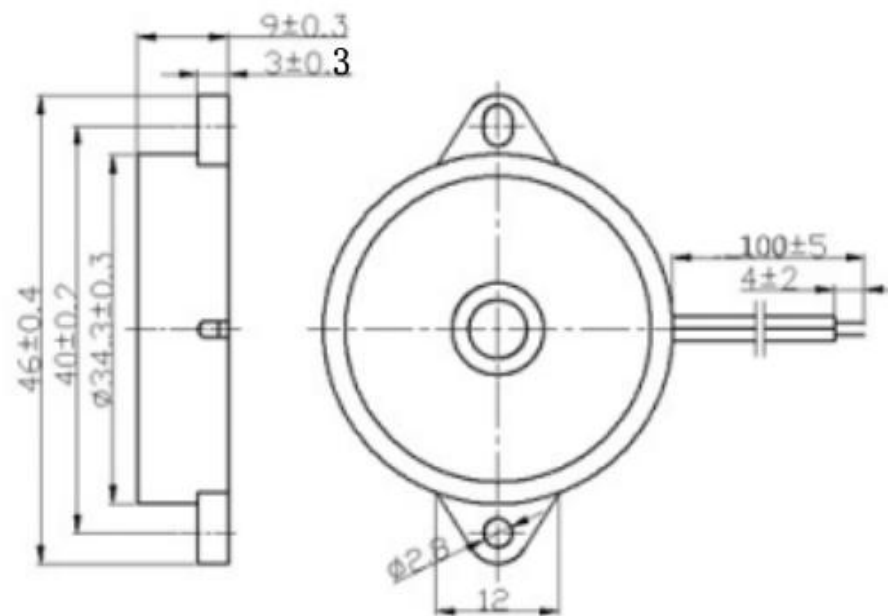
Date: 2021.05.29

DRAWING BY	CHECKED BY	APPROVED BY
CHEN YUAN	YUE QIN	JIN LI

## 1. SPECIFICATION

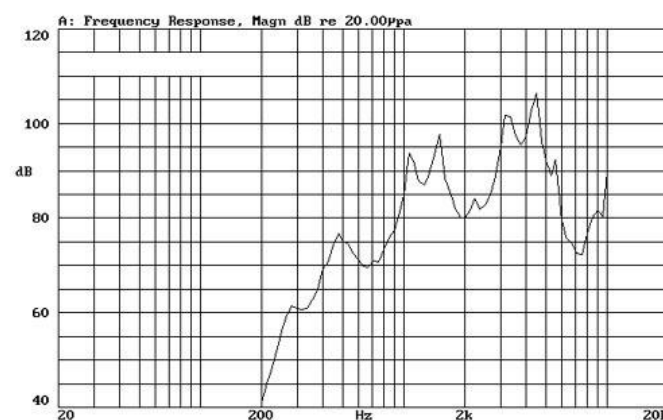
TYPE (UNIT)	MSPT35A16W100V12
Min. Sound Output at 10cm (dB)	90
Rated Voltage (Vp-p)	12
Operating Voltage (Vp-p)	3~30
Resonant Frequency (Hz)	1600+/-500
Max. Current Consumption (mA)	9
Capacitance at 1,000HZ (pF)	60000+/-30%
Operating Temperature (C)	-30~+80
Storage Temperature (C)	-30~+80
Housing Material	PPO
Weight (g)	5

## 2. APPEARANCE DRAWING

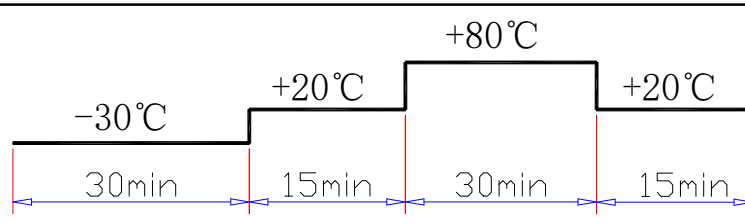
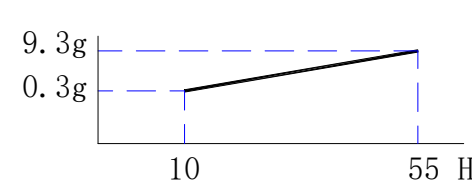


(UNIT:MM)

## 3.FREQUENCY CURVE



## 4.ENVIRONMENTAL TEST

	Item	Specifications
3-1	Storage in High temp.	Storage in $+85^{\circ}\text{C}\pm 2^{\circ}\text{C}$ test box for 96 hours, then expose to the room temperature for 2 hours without applying power.
3-2	Storage in Low temp.	Storage in $-40^{\circ}\text{C}\pm 2^{\circ}\text{C}$ test box for 96 hours, then expose to the room temperature for 2 hours without applying power.
3-3	Storage in Humidity	Storage in $+40^{\circ}\text{C}\pm 2^{\circ}\text{C}$ 90-95%RH test box for 96 hours, then expose to the room temperature for 2 hours without applying power.
3-4	Thermal cycle test.	 <p>Make this test for 5 cycles without applying power, then expose to the room temperature for 2 hours.</p>
3-5	Vibration test	 <p>Amplitude: 1.5mm Time : 1min/axis</p> <p>Make this test for the directions of X, Y, Z for 2 hours each (total 6 hours).</p>
3-6	Drop test	Free drop a unit from the height 100cm to the surface of 10mm thick board ,three directions(X,Y,Z).
3-7	Solderability test	Soldering temp.: $260\pm 5^{\circ}\text{C}$ Heat applying time: $3\pm 0.5\text{sec}$ .
<p>PASS CRITERION :</p> <p>After these tests , the change of S.P.L shall be within <math>\pm 5\text{ dB}</math> .</p>		

## 5.MEASURING METHOD(BUZZER MODE)

### 5-1 .Test Condition

#### 5-1-1.STANDARD

Temperature :  $25\pm 3^{\circ}\text{C}$

Relative humidity : 60% ~ 70%,

Atmospheric pressure : 860mbar to 1060mbar

#### 5-1-2.JUDGEMENT

Temperature : 15 ~  $35^{\circ}\text{C}$

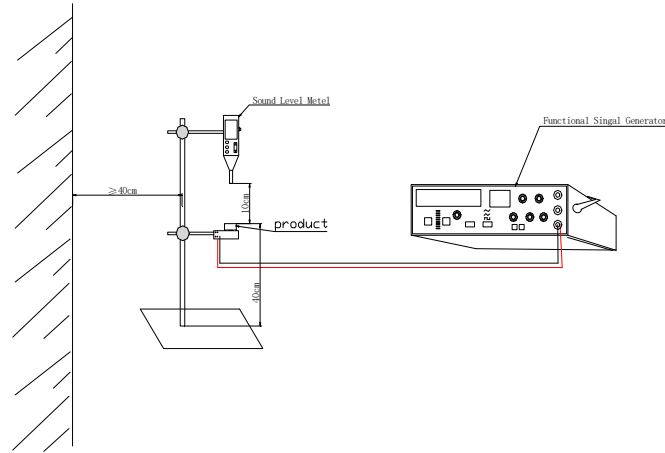
Relative humidity : 45% ~ 85%,

Atmospheric pressure: 860mbar to 1060mbar.

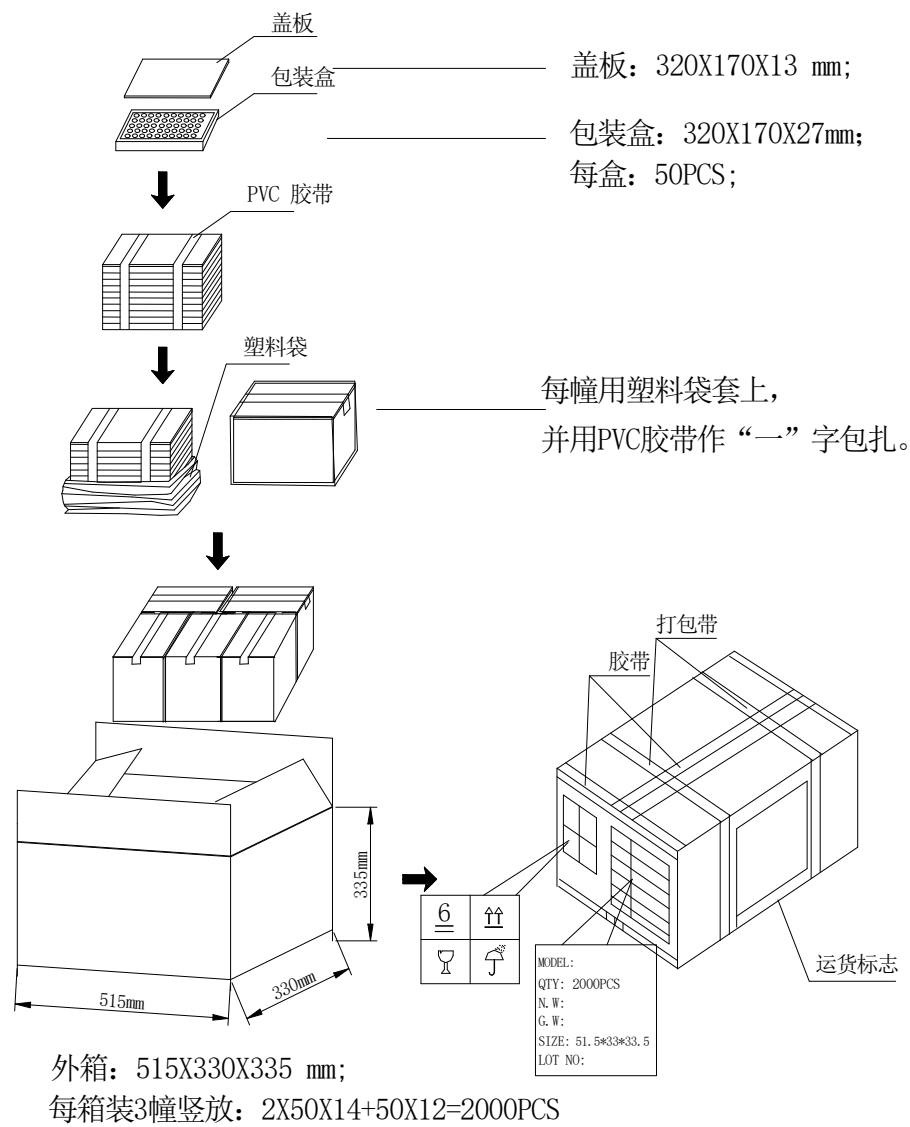
### 5-2. Standard Test Fixture

1.rated Voltage(Square wave):10V

1. Resonant Frequency:4000Hz



## 6.PACKING



外箱用PVC胶带作包扎, 然后用包装带作平行包扎。  
一箱装好后, 根据要求填写内容。