

DESCRIPTION: PASSIVE PIEZO BUZZER

MODEL: MSPT17D40W09

APPLICATION:

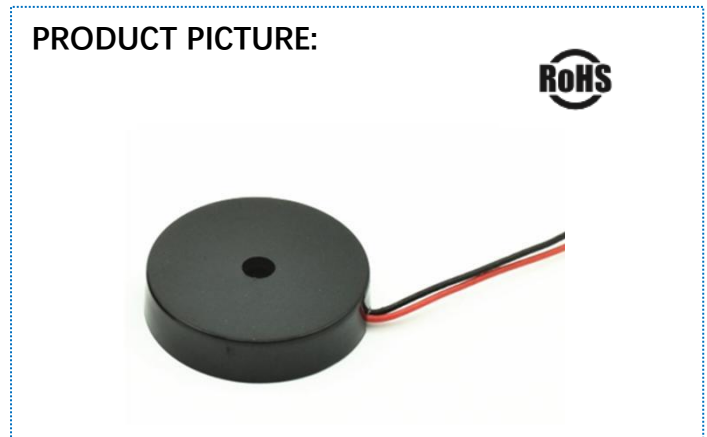
Household Goods

Medical Devices

Electronic Toys

Loud Sirens

PRODUCT PICTURE:



SPECIFICATIONS

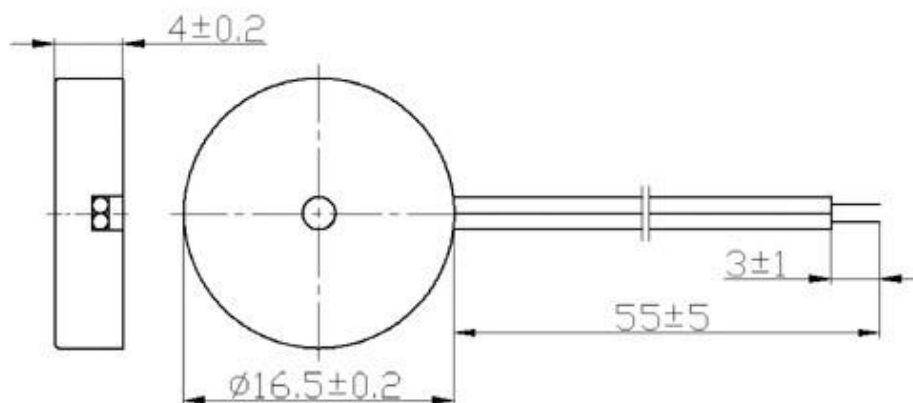
| Item | Unit | Value |
|-----------------------------|------|-----------|
| Rated Voltage (Square Wave) | Vp-p | 9 |
| Operating Voltage | Vp-p | 1~30 |
| Rated Current (Max) | mA | 2 |
| Min Sound Output at 10cm | dB | 82 |
| Resonant Frequency | Hz | 4000±500 |
| Capacitance at 1KHz | pF | 14000±30% |
| Operating Temperature | °C | -20~+60 |
| Storage Temperature | °C | -30~+70 |

* Value Applying at Rated Voltage (resonant frequency, 1/2 duty, square wave)

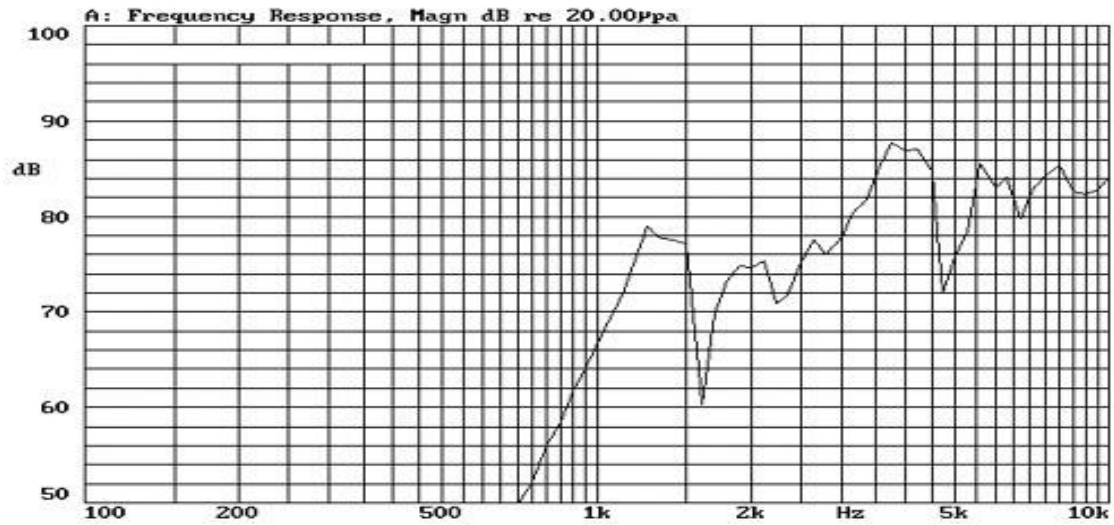
MECHANICAL DRAWING

units: mm

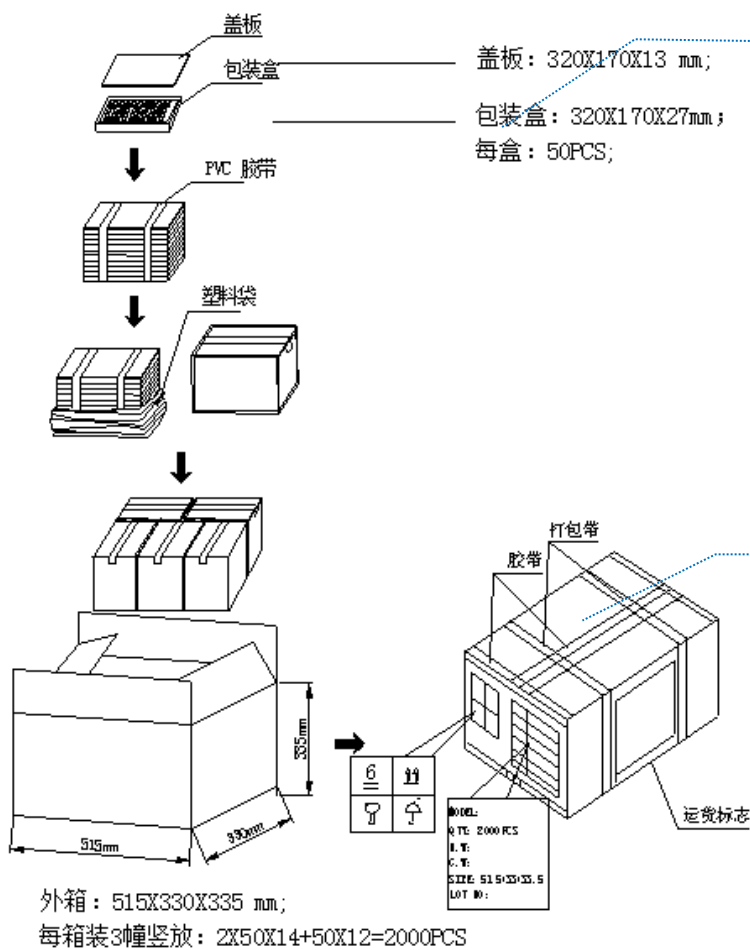
tolerance: ± 0.5 mm



PERFORMANCE CURVES



PACKAGING



50PCS/FOAM TRAY
 FOAM TRAY SIZE: 320*170*27MM

3 INNER BOXES/PER CARTON
 2*50+50*12PCS=2000PCS/CTN
 CARTON SIZE: 515*330*335mm