



# MANORSHI ELECTRONICS CO.,LTD

Tel:86-519-89185720 Fax:86-519-89185710 E-mail:sales@manorshi.com

<http://www.buzzer-supplier.com>

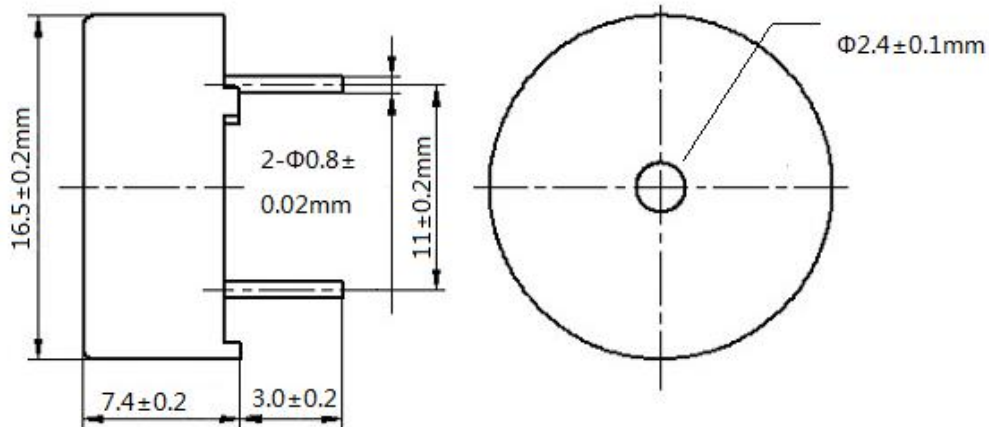
## SPECIFICATION SHEET

■MODEL TYPE: MSPT17C40P09

■SPEC.:

TYPE (UNIT)	MSPT17C40P09
Min. Sound Output at 10cm (dB)	85
Rated Voltage (Vp-p)	9
Operating Voltage (Vp-p)	1~30
Resonant Frequency (Hz)	4000+/-500
Max. Current Consumption (mA)	2
Capacitance at 1,000HZ (pF)	14000+/-30%
Operating Temperature (C)	-20~+70
Storage Temperature (C)	-30~+80
Weight (g)	1.3

■DIMENSION (UNIT: mm)



■FREQUENCY CURVE

