



## PRODUCT SPECIFICATION

Product Name: Piezo Buzzer

Part Number: MSPT17B40W100V9

Document No: \_\_\_\_\_

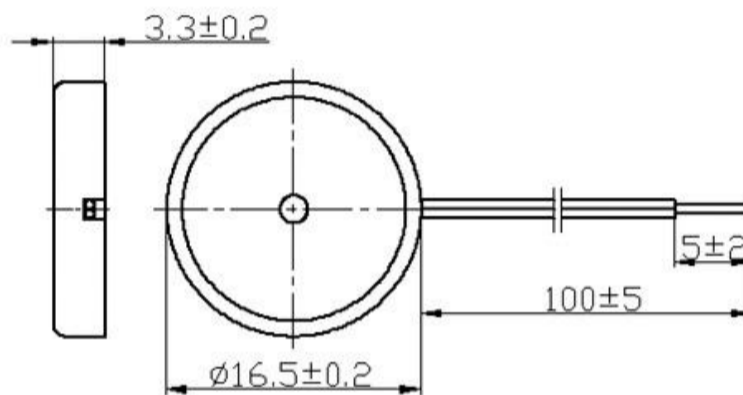
Date: 2021.05.27

DRAWING BY	CHECKED BY	APPROVED BY
CHEN YUAN	YUE QIN	JIN LI

### 1. SPECIFICATION

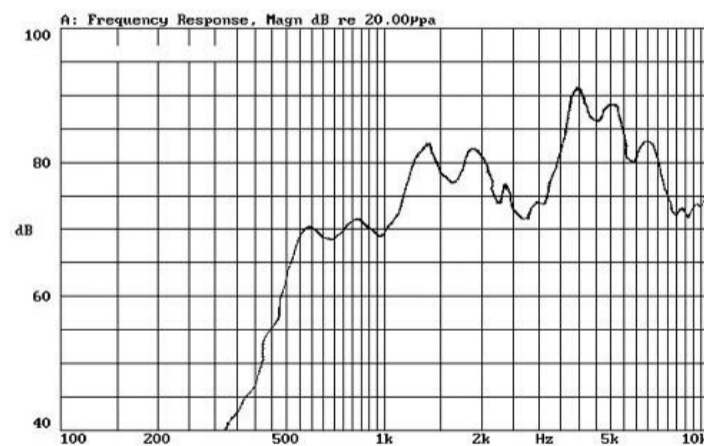
TYPE (UNIT)	MSPT17B40W100V9
Min. Sound Output at 10cm (dB)	80
Rated Voltage (Vp-p)	9
Operating Voltage (Vp-p)	1~25
Resonant Frequency (Hz)	4000+/-500
Max. Current Consumption (mA)	2
Capacitance at 1,000HZ (pF)	14000+/-30%
Operating Temperature (C)	-20~+60
Storage Temperature (C)	-30~+70
Weight (g)	0.9

## 2. APPEARANCE DRAWING



(UNIT:MM)

## 3. FREQUENCY CURVE



## 4. ENVIRONMENTAL TEST

	Item	Specifications
3-1	Storage in High temp.	Storage in +85°C±2°C test box for 96 hours, then expose to the room temperature for 2 hours without applying power.
3-2	Storage in Low temp.	Storage in -40°C±2°C test box for 96 hours, then expose to the room temperature for 2 hours without applying power.



# MANORSHI ELECTRONICS CO.,LTD

3-3	Storage in Humidity	Storage in +40°C±2°C 90-95%RH test box for 96 hours, then expose to the room temperature for 2 hours without applying power.
3-4	Thermal cycle test.	<p>Make this test for 5 cycles without applying power, then expose to the room temperature for 2 hours.</p>
3-5	Vibration test	<p>Make this test for the directions of X, Y, Z for 2 hours each (total 6 hours).</p>
3-6	Drop test	Free drop a unit from the height 100cm to the surface of 10mm thick board, three directions(X,Y,Z).
3-7	Solderability test	Soldering temp.:260±5°C Heat applying time: 3±0.5sec.
<p>PASS CRITERION : After these tests , the change of S.P.L shall be within ±5 dB .</p>		

## 5.MEASURING METHOD(BUZZER MODE)

### 4-1 .Test Condition

#### 4-1-1.STANDARD

Temperature : 25±3°C

Relative humidity : 60% ~ 70%,

Atmospheric pressure : 860mbar to 1060mbar

#### 4-1-2.JUDGEMENT

Temperature : 15 ~ 35°C

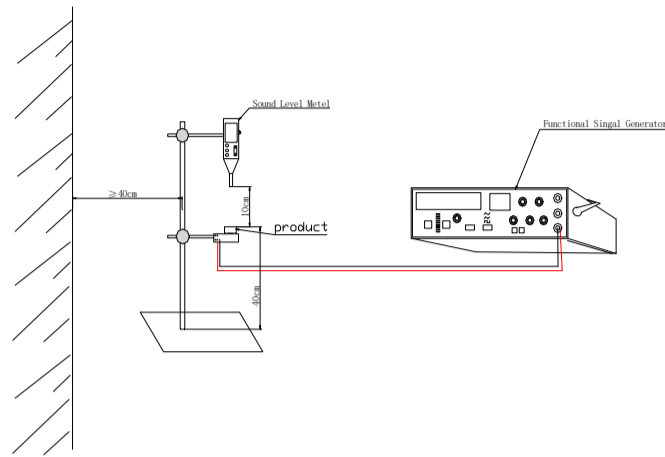
Relative humidity : 45% ~ 85%,

Atmospheric pressure: 860mbar to 1060mbar.

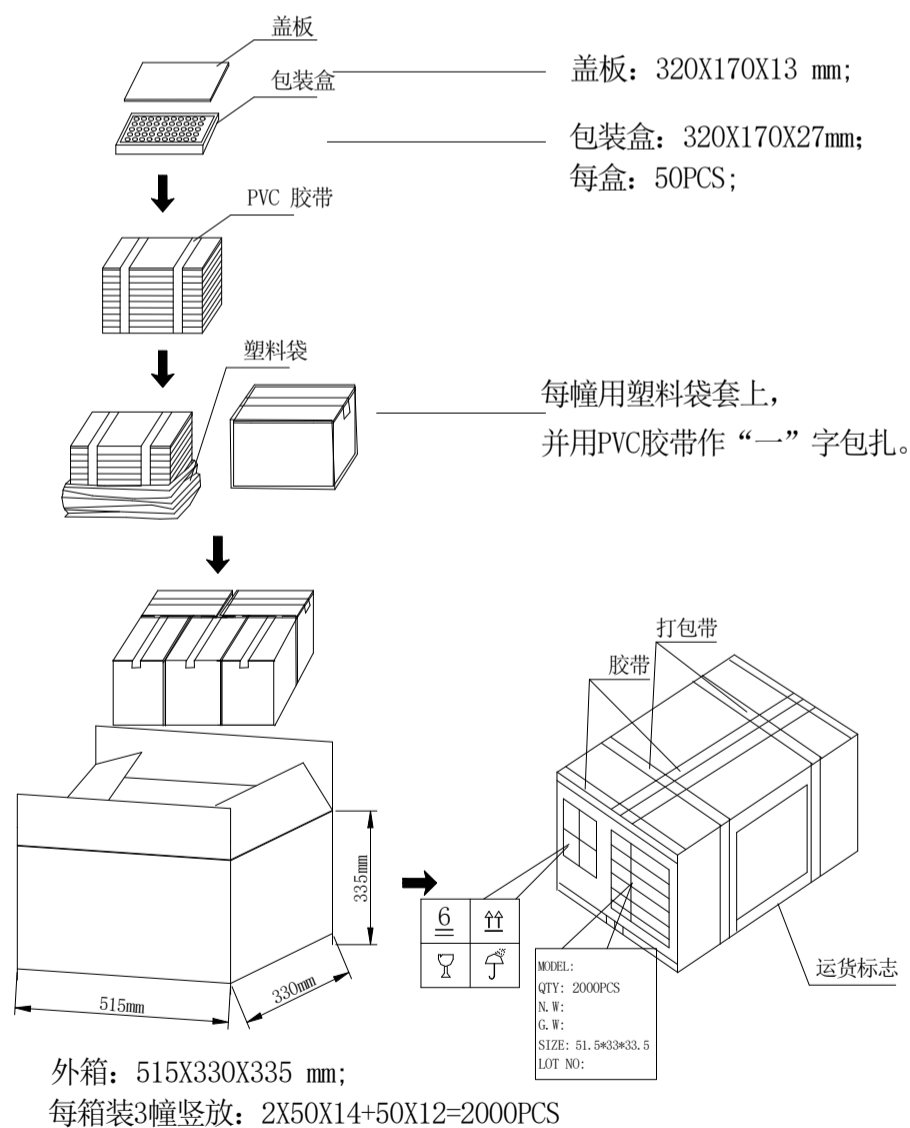
### 4-2. Standard Test Fixture

1.rated Voltage(Square wave):10V

1. Resonant Frequency:4000Hz



## 6.PACKING



外箱用PVC胶带作包扎, 然后用包装带作平行包扎。  
一箱装好后, 根据要求填写内容。