



## PRODUCT SPECIFICATION

Product Name: Piezo Buzzer

Part Number: MSPT13B48W30V12

Document No: \_\_\_\_\_

Date: 2021.5.27

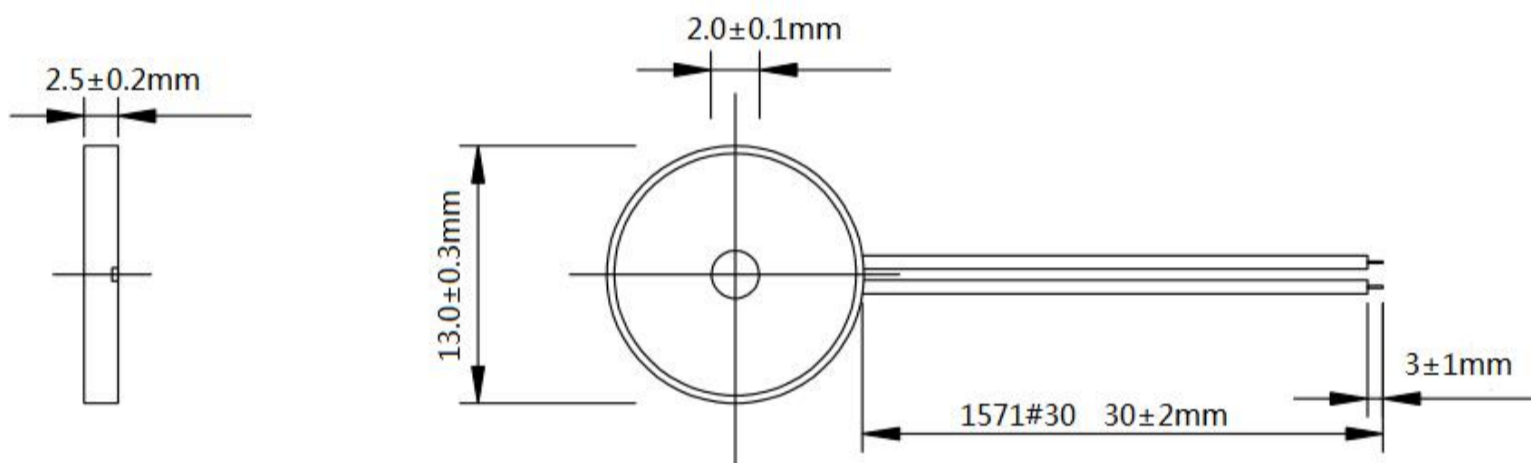
DRAWING BY	CHECKED BY	APPROVED BY
CHEN YUAN	YUE QIN	JIN LI

## 1.SPECIFICATION

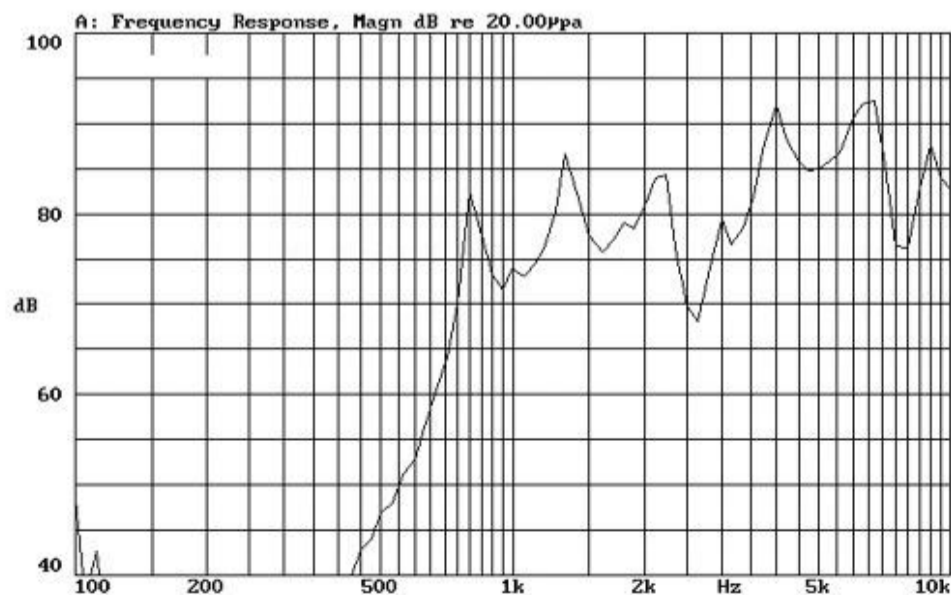
TYPE (UNIT)	MSPT13B
Min. Sound Output at 10cm (dB)	85
Rated Voltage (Vp-p)	12
Operating Voltage (Vp-p)	1~25
Resonant Frequency (Hz)	4800+/-500
Max. Current Consumption (mA)	2
Capacitance at 1,000HZ (pF)	15000+/-30%
Operating Temperature (C)	-20~+60
Storage Temperature (C)	-30~+70
Weight (g)	1

## 2. DIMENSION

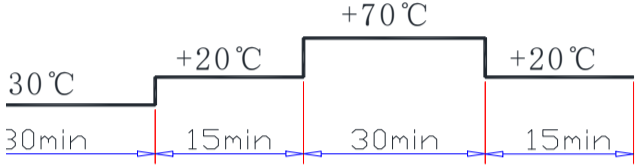
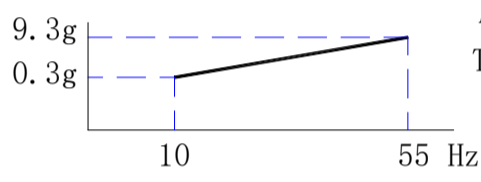
Housing: ABS



## 3. FREQUENCY CURVE



## 4.ENVIRONMENTAL TEST

	Item	Specifications
4-1	Storage in High temp.	Storage in $+70^{\circ}\text{C}\pm 2^{\circ}\text{C}$ test box for 96 hours, then expose to the room temperature for 2 hours without applying power.
4-2	Storage in Low temp.	Storage in $-30^{\circ}\text{C}\pm 2^{\circ}\text{C}$ test box for 96 hours, then expose to the room temperature for 2 hours without applying power.
4-3	Storage in Humidity	Storage in $+40^{\circ}\text{C}\pm 2^{\circ}\text{C}$ 90-95%RH test box for 96 hours, then expose to the room temperature for 2 hours without applying power.
4-4	Thermal cycle test.	 <p>Make this test for 5 cycles without applying power, then expose to the room temperature for 2 hours.</p>
4-5	Vibration test	 <p>Amplitude: 1.5mm Time : 1min/axis</p> <p>Make this test for the directions of X, Y, Z for 2 hours each (total 6 hours).</p>
4-6	Drop test	Free drop a unit from the height 100cm to the surface of 10mm thick board ,three directions(X,Y,Z).
4-7	Solderability test	Soldering temp.: $260\pm 5^{\circ}\text{C}$ Heat applying time: $3\pm 0.5\text{sec}$ .
<p><b>PASS CRITERION :</b> After these tests , the change of S.P.L shall be within <math>\pm 5</math> dB .</p>		