



PRODUCT SPECIFICATION

Product Name: Piezo Buzzer

Part Number: MSPS22A37W150V5

Document No: _____

Date: 2021.05.22

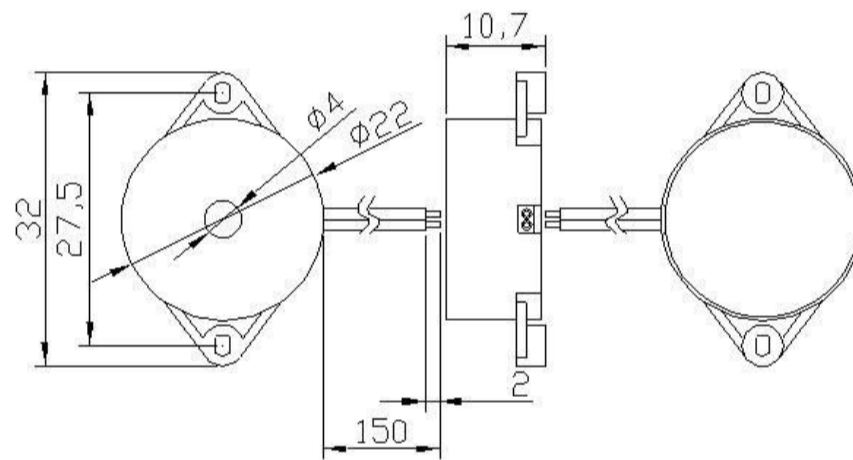
DRAWING BY	CHECKED BY	APPROVED BY
CHEN YUAN	YUE QIN	JIN LI

1.SPECIFICATION

Type	Unit	MSPS22A37W150V5
Operating Voltage	VDC	Max 20Vp-p
Rated Current(max)	mA	10mA (Max)
Sound output at 10cm	dB	Min 90dB (Typ.) at 5Vp-p,3.7khz
Operating temperature	°C	-20~+60
Storage Temperature	°C	-30~+70
Weight	g	0.5
Housing material	ABS	
Packing Condition	1400pcs/box	

Value Applying at Rated Voltage(resonant frequency, 1/2 duty,square wave)

2.APPEARANCE DRAWING



(UNIT:MM) Tolerance: $\pm 0.2\text{mm}$

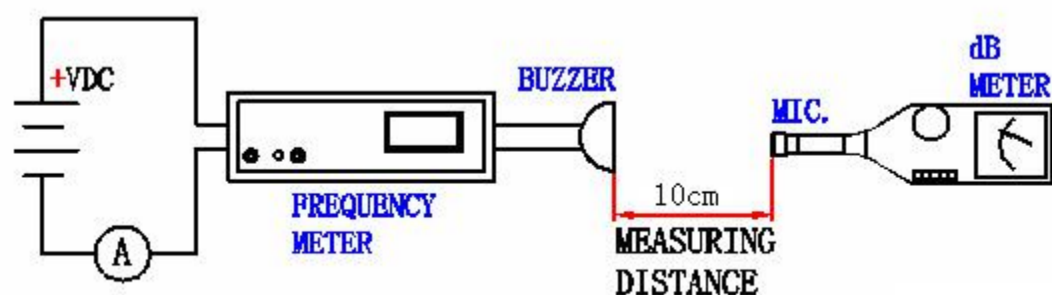
3.TESTING METHOD

Standard Measurement conditions

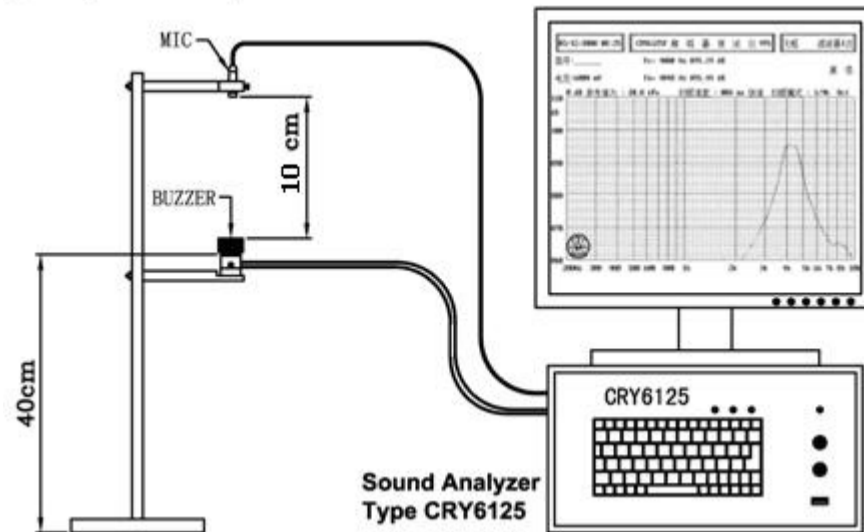
Temperature: $25 \pm 2^\circ\text{C}$ Humidity: 45-65%

Acoustic Characteristics:

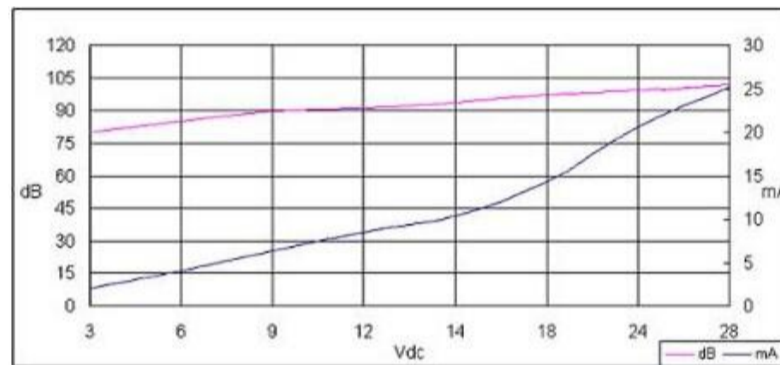
The oscillation frequency, current consumption and sound pressure are measured by the measuring instruments shown below



In the measuring test, buzzer is placed as follows:

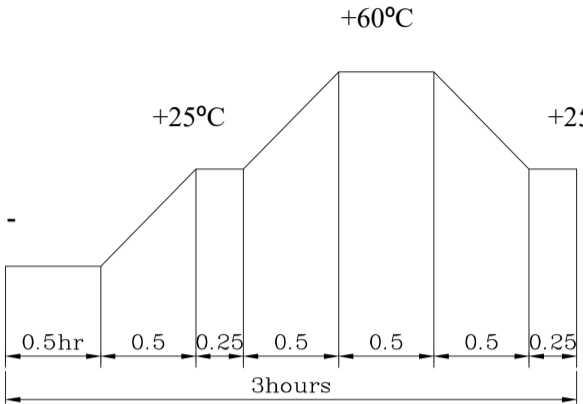


4.FREQUENCY CURVE



5.RELIABILITY TEST

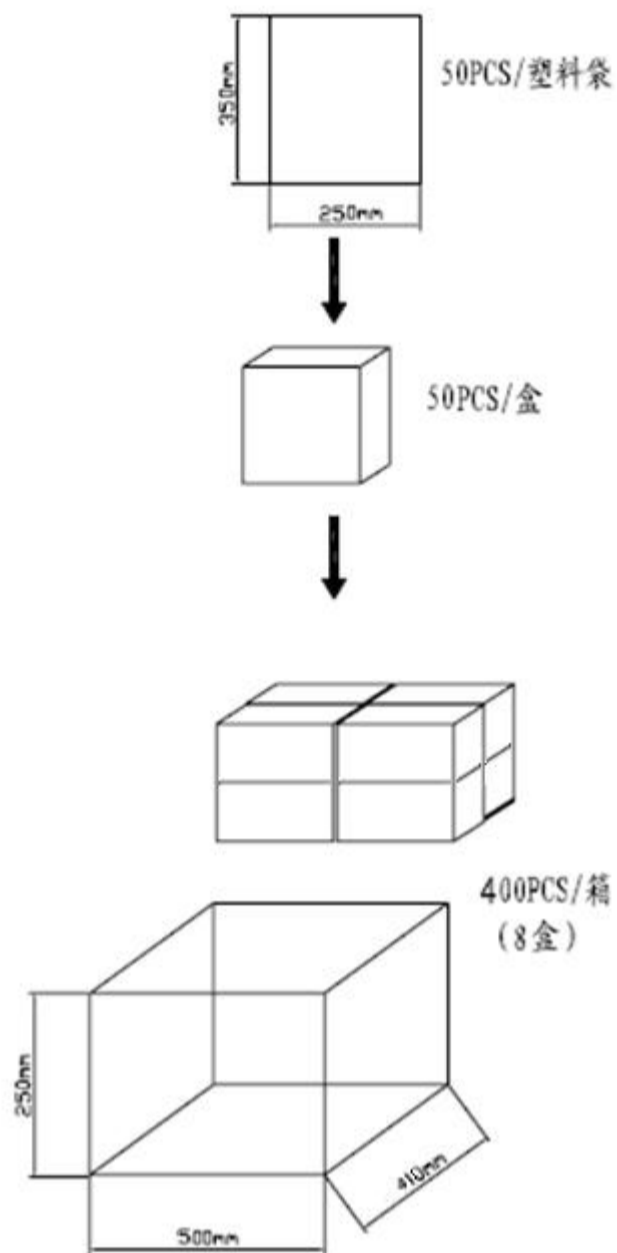
NO.	ITEM	TEST CONDITION AND REQUIREMENT
1	High Temperature Test (Storage)	After being placed in a chamber with 70 °C for 96 hours and then being placed in normal condition for 2 hours. Allowable variation of SPL after test: +/-10dB.
2	Low Temperature Test (Storage)	After being Placed in a chamber with -30 °C for 96 hours and then being placed in normal condition for 2 hours. Allowable variation of SPL after test: +/-10dB.
3	Humidity Test	After being Placed in a chamber with 90-95% R.H. at 40 °C for 96 hours and then being placed in normal condition for 2 hours. Allowable variation of SPL after test: +/-10dB.

4	Temperature Cycle Test	<p>The part shall be subjected to 5 cycles. One cycle shall be consist of:</p>  <p>Allowable variation of SPL after test: +/-10dB.</p>
5	Drop Test	<p>Drop on a hard wood board of 4cm thick, any directions ,3 times, at the height of 75cm .</p> <p>Allowable variation of SPL after test: +/-10dB.</p>
6	Vibration Test	<p>After being applied vibration of amplitude of 1.5mm with 10 to 55 Hz band of vibration frequency to each of 3 perpendicular directions for 2 hours .</p> <p>Allowable variation of SPL after test: +/-10dB.</p>
7	Solderability Test	<p>Lead terminals are immersed in rosin for 5 seconds and then immersed in solder bath of +300 5°C for 3 1 seconds .</p> <p>90% min. lead terminals shall be wet with solder (Except the edge of terminals).</p>
8	Terminal Strength Pulling Test	<p>The force of 9.8N(1.0kg) is applied to each terminal in axial direction for 10 seconds.</p> <p>No visible damage and cutting off.</p>

TEST CONDITION.

Standard Test Condition : a) Temperature : +5 ~ +35°C b) Humidity : 45-85% c) Pressure : 860-1060mbar
 一般测试条件 : a) 温度 : +5 ~ +35°C b) 湿度 : 45-85% c) 气压 : 860-1060mbar
 Judgment Test Condition : a) Temperature : +25 ± 2°C b) Humidity : 60-70% c) Pressure : 860-1060mbar
 争议时测试条件 : a) 温度 : +25 ± 2°C b) 湿度 : 60-70% c) 气压 : 860-1060mbar

6. PACKING STANDARD



Remark:
50pcs per bag
1 trays for unit, 8units per carton
Total:400 pcs per box
Size:50*41*25cm