

DESCRIPTION: Ultrasonic Sensor
MODEL: MSO-P1640H12T

FEATURES

Transmitter: "T" mark on housing
 Compact and light weight.
 High sensitivity and sound pressure
 Less power consumption
 High reliability

PICTURE:

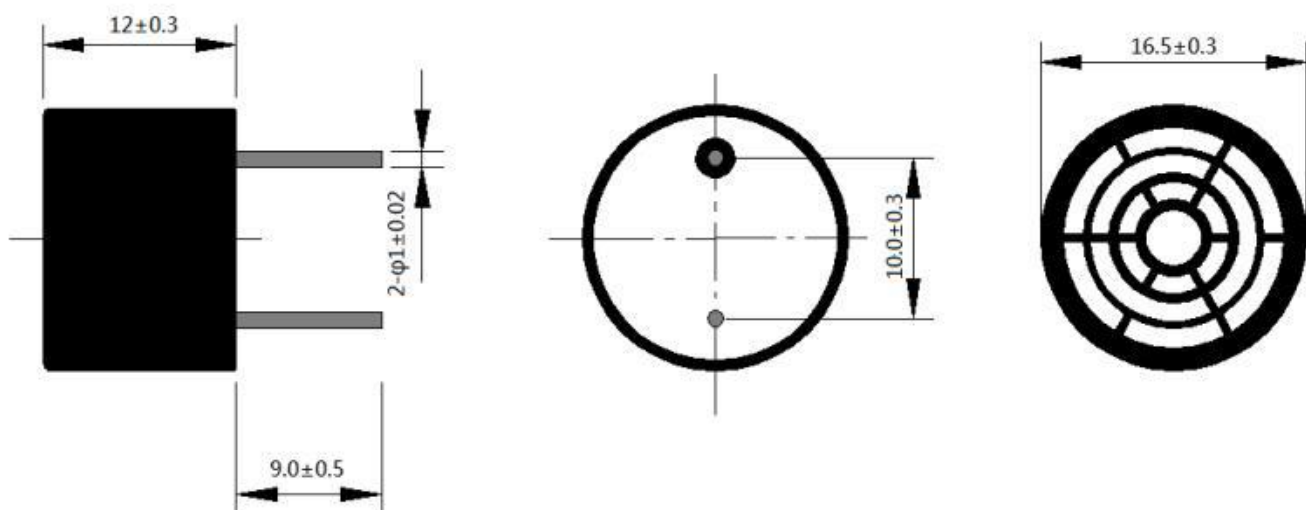


SPECIFICATIONS

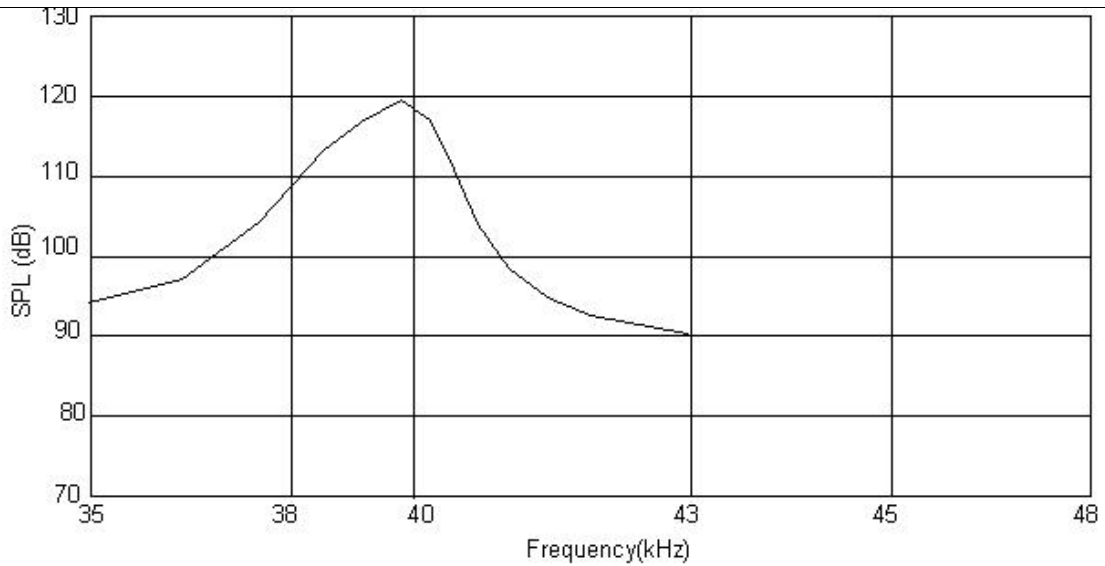
| Item | Value |
|-------------------------|--|
| Using method | Transmitter |
| Nominal Frequency | 40KHZ |
| S P L | $\geq 115\text{dB}(10\text{V}/30\text{cm}/\text{sine wave})$ |
| Directivity | 80deg |
| Capacitance | $2400\text{pF} \pm 20\% @ 1\text{KHz}$ |
| Allowable input voltage | $150\text{Vp-p}(40\text{KHz})$ |
| Detectable range | 0.2~18m |
| Operating Temperature | $-20 \sim +70^{\circ}\text{C}$ |
| Housing material | Plastic |
| Weight | 2.0g |

MECHANICAL DRAWING

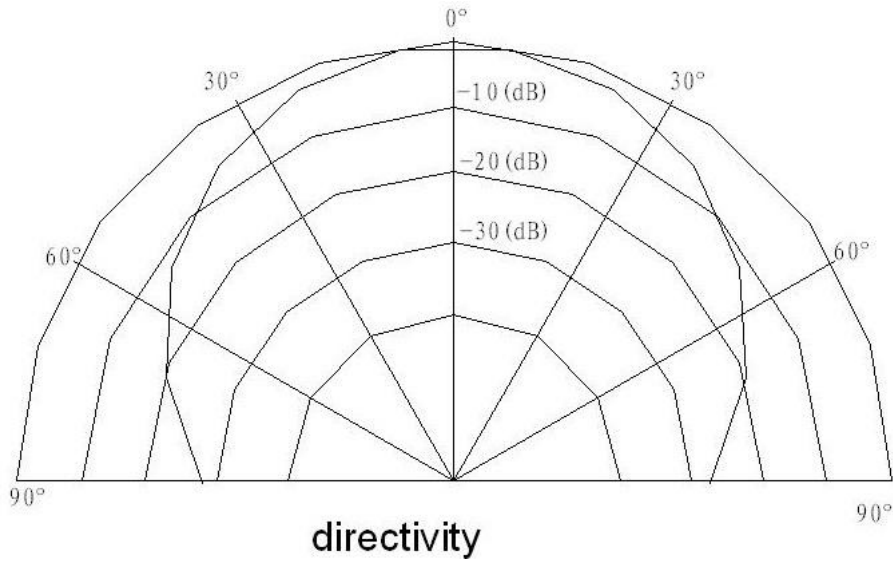
units:mm



BEAM PATTERN



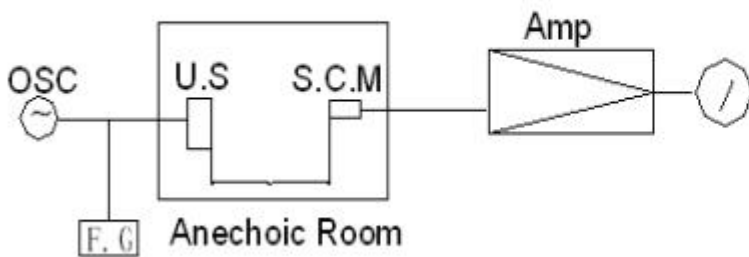
SPL-Frequency Characteristics



directivity

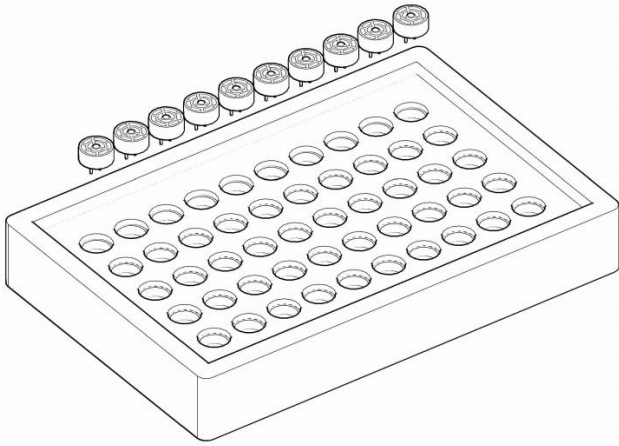
TEST CIRCUIT

Transmitter

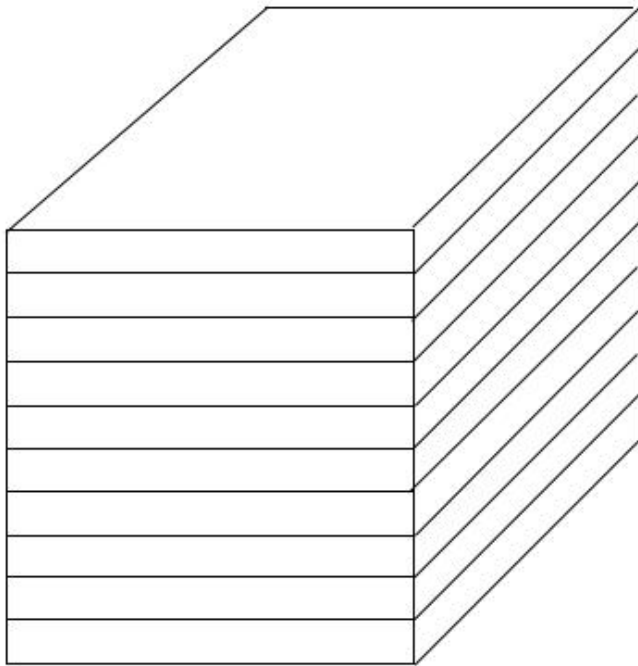


U.S :Ultrasonic Sensor
 S.C.M:Standard Cappacitor Microphone
 Amp. :Amplifier
 Input voltage:10Vrms
 F.C :Frequency Counter

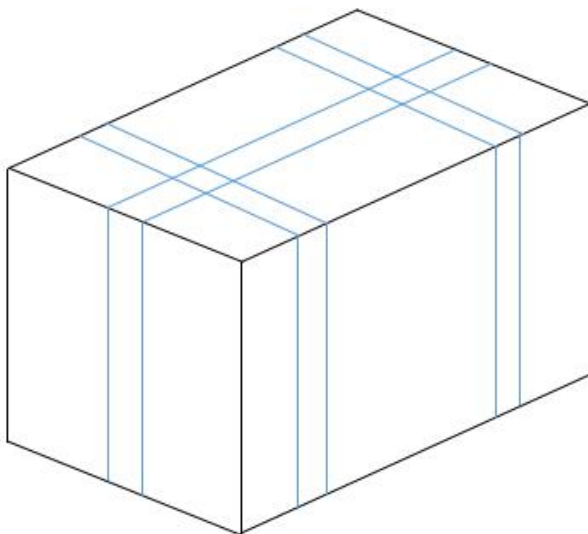
PACKAGING DETAILS



50PCS/BOX
BOX SIZE:24*16*3CM



10BOXES/STACK, TOTAL 500PCS
STACK SIZE:24*16*24CM



2000PCS/CARTON
CARTON SIZE:48*28*32CM