

DESCRIPTION: Ultrasonic Sensor
MODEL: MSO-P1040H07T

FEATURES

Transmitter: "T" mark on housing
 Compact and light weight.
 High sensitivity and sound pressure
 Less power consumption
 High reliability

PICTURE:

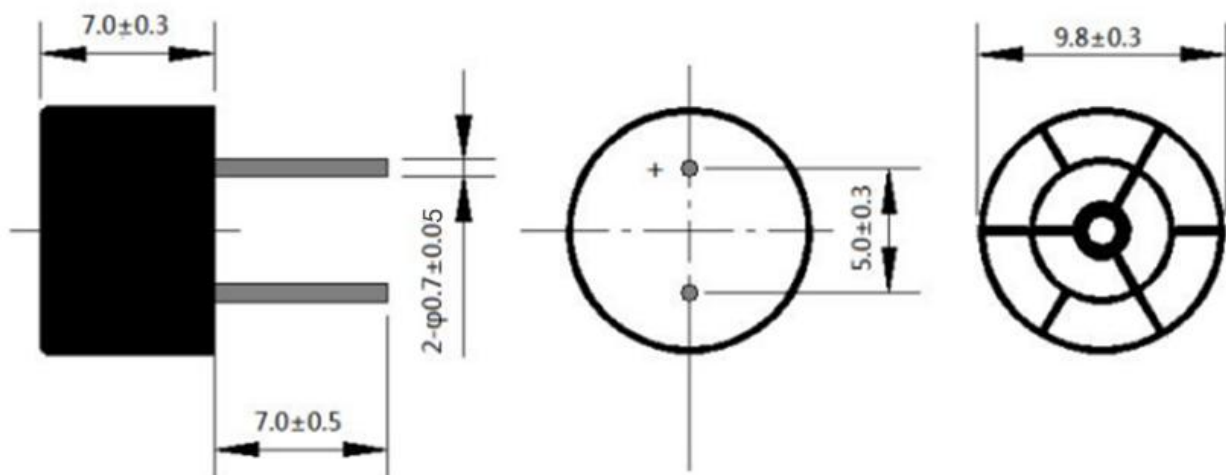


SPECIFICATIONS

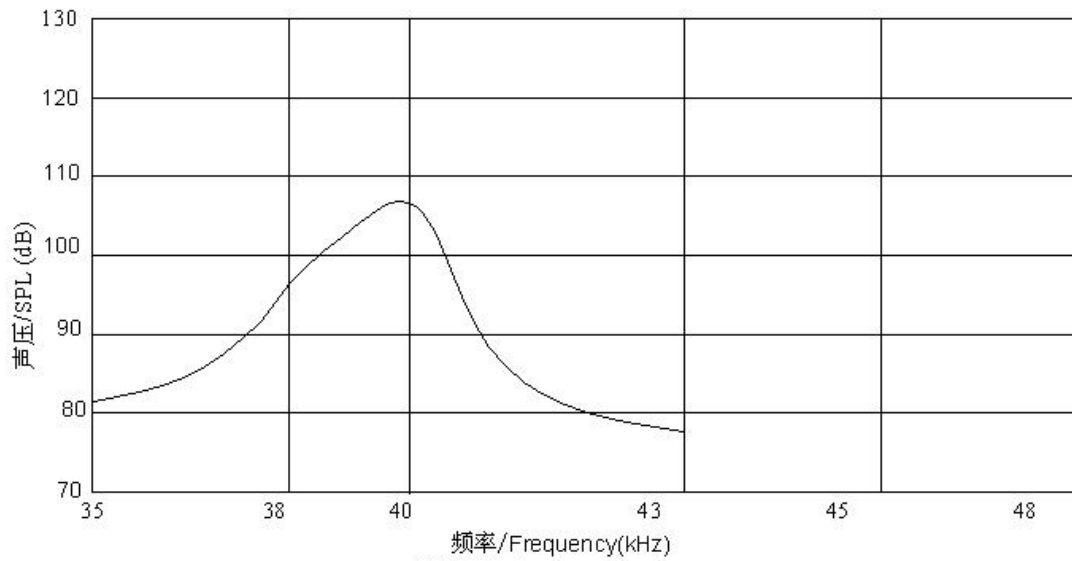
Item	Value
Using method	Transmitter
Center frequency	40±1.0KHZ
Sound Pressure Level	≥115dB
Capacitance	2200±25%pF at 1KHz
Directivity	80°±15° (-6dB)
Maximum input voltage	40Vp-p
Detectable range	0-1200cm
Housing material	Plastic
Operating Temperature	-20~+80℃
Storage Temperature	-20~+80℃

MECHANICAL DRAWING

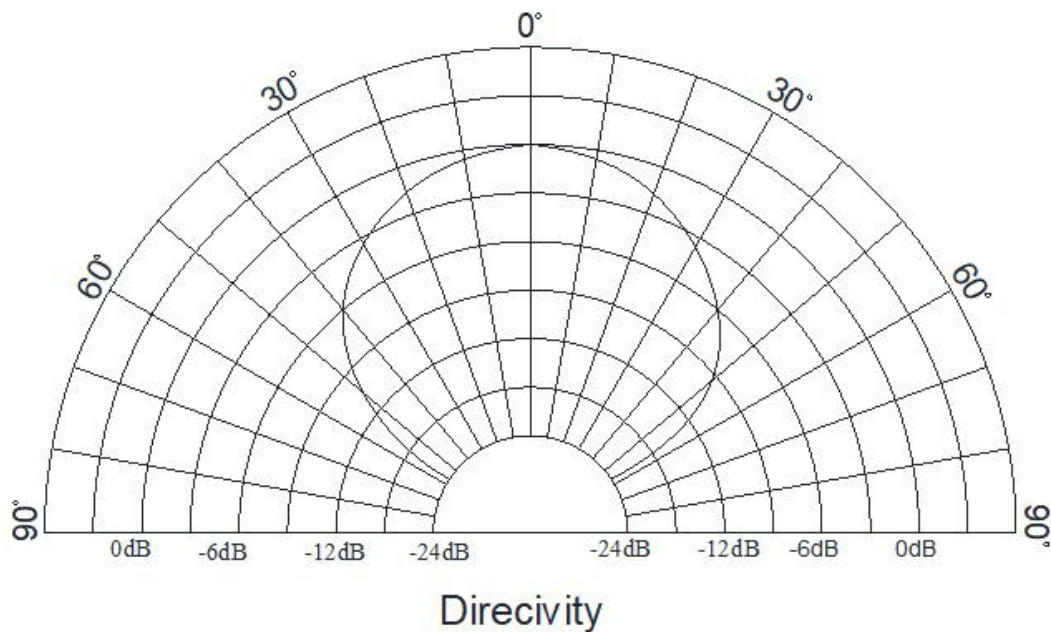
units:mm



BEAM PATTERN

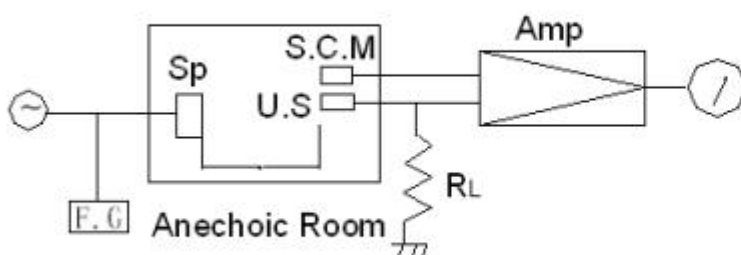


声压-频率特性图/SPL-Freq.Characteristics



TEST CIRCUIT

Receiver



RL: 3.9K Ω

U.S :Ultrasonic Sensor

S.C.M:Standard Cappacitor Microphone

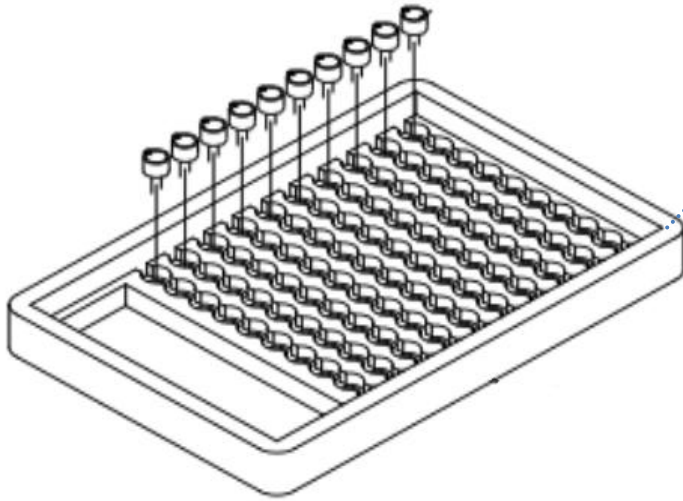
Amp. :Amplifier

OSC. :Oscillator

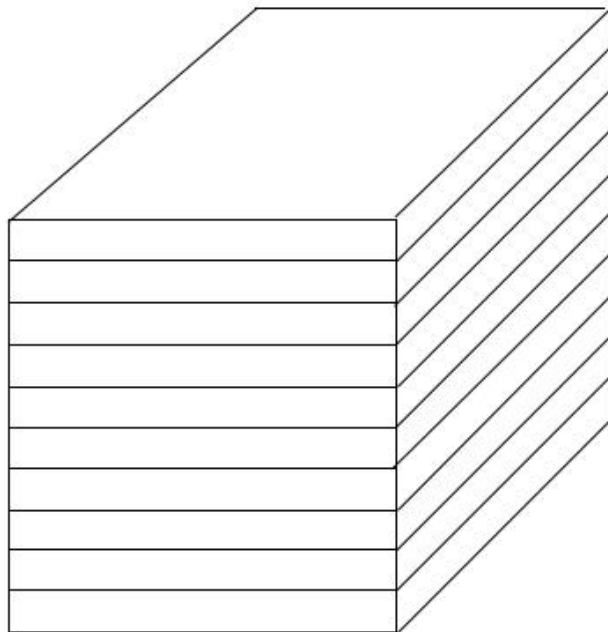
Sp :Tweeter

F.C :Frequency Counter

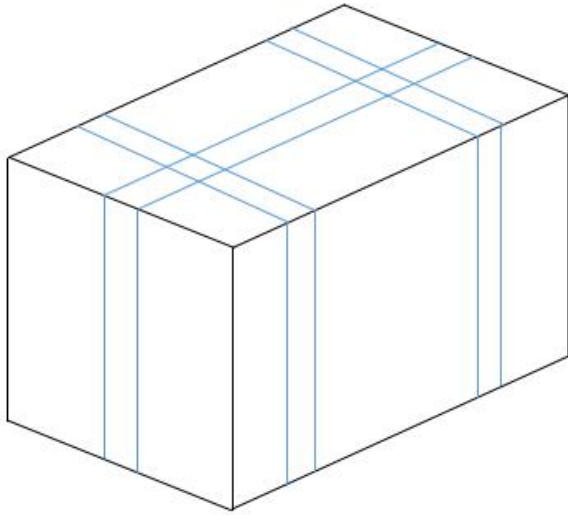
PACKAGING DETAILS



100PCS/BOX
BOX SIZE:24*16*3CMd



10BOXES/STACK, TOTAL 1000PCS
STACK SIZE:24*16*31CM



2000PCS/CARTON
CARTON SIZE:25*25*33CM