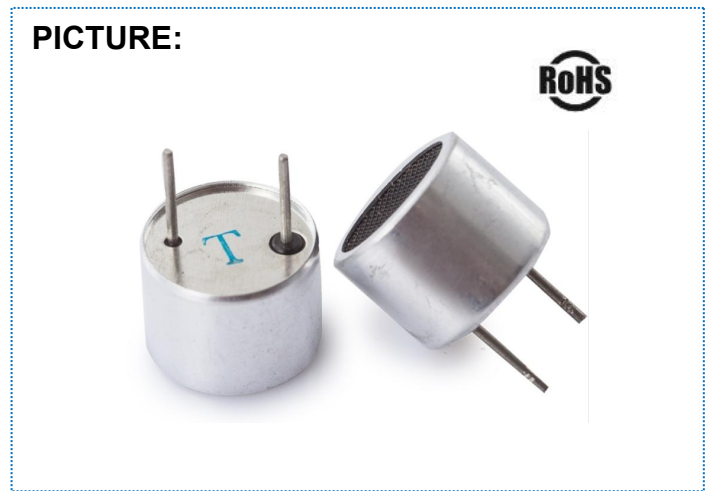


DESCRIPTION: Ultrasonic Sensor
MODEL: MSO-A1640H12TR

FEATURES

Dual Use: Transmitter/Receiver
 Compact and light weight.
 High sensitivity and sound pressure
 Less power consumption
 High reliability

PICTURE:

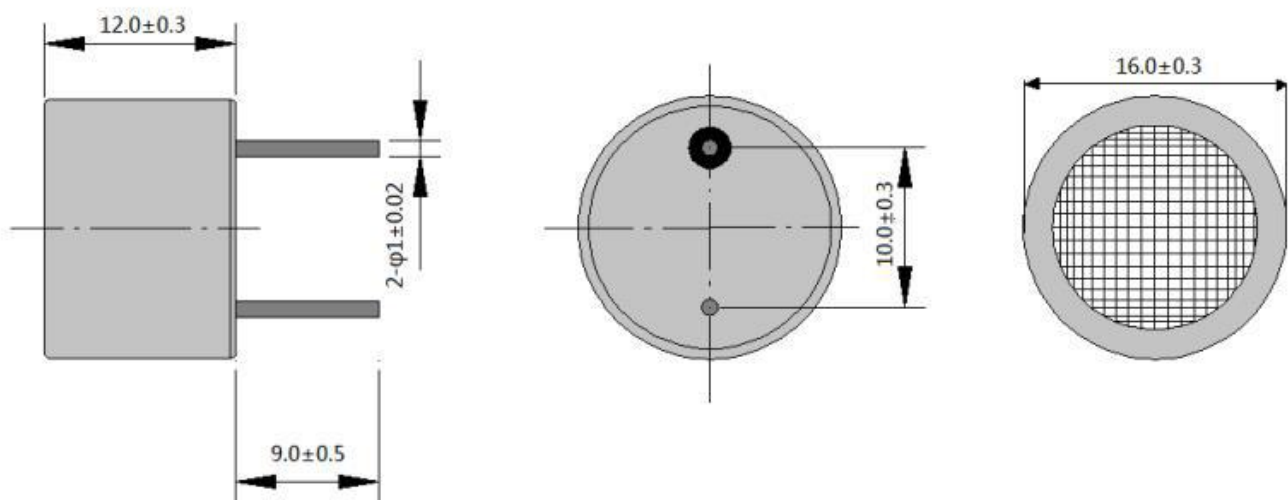


SPECIFICATIONS

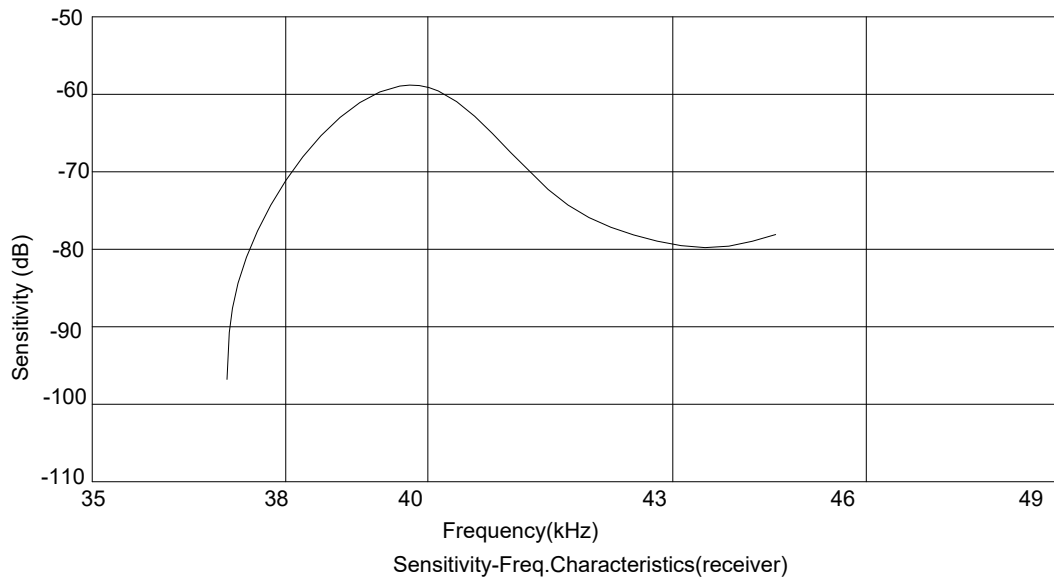
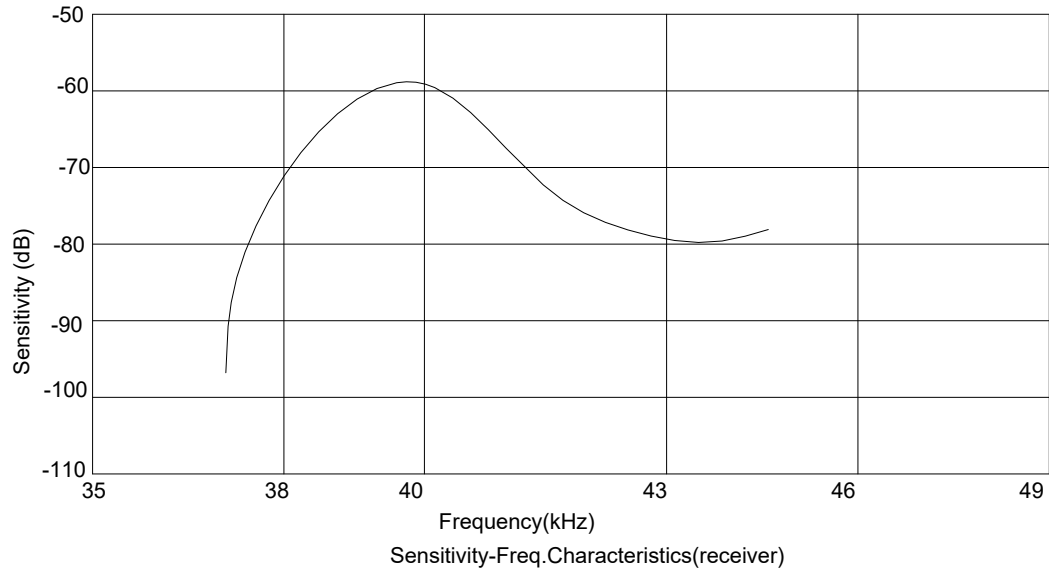
Item	Value
Using method	Transmitter/Receiver
Nominal Frequency	40KHZ
Sensitivity	$\geq -68V/u \text{ Mbar}$
S P L	$\geq 115dB(10V/30cm/sine \text{ wave})$
Directivity	80deg
Capacitance	$2400pF \pm 20\% @ 1KHz$
Detectable range	0.2~18m
Allowable input voltage	150Vp-p(40KHz)
Operating Temperature	-20~ +70°C
Response time for receiver	Max 1.6
Housing material	Aluminum
Weight	2.31g

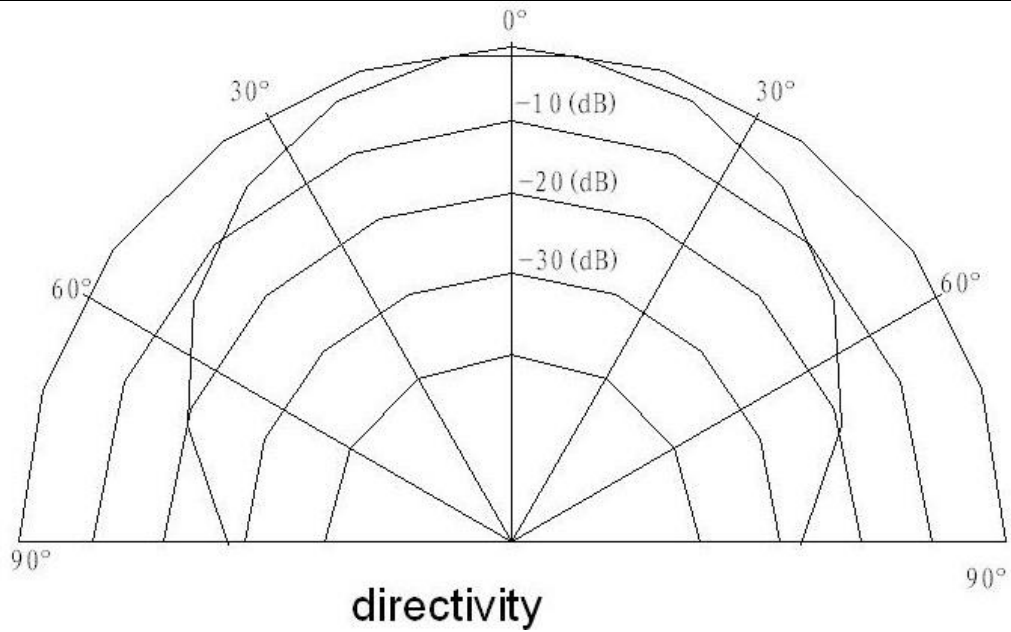
MECHANICAL DRAWING

units:mm



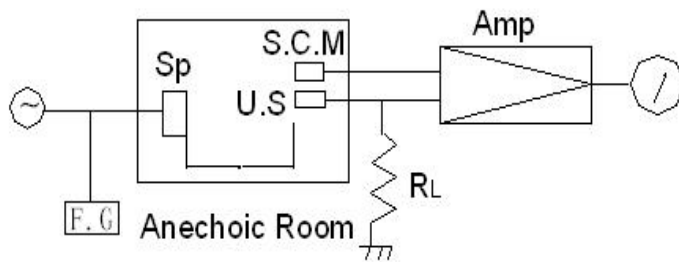
BEAM PATTERN





TEST CIRCUIT

Receiver



RL: $3.9K\Omega$

U.S. :Ultrasonic Sensor

S.C.M:Standard Cappacitor Microphone

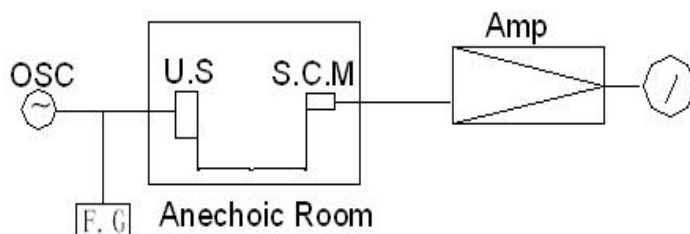
Amp. :Amplifier

OSC. :Oscillator

Sp :Tweeter

F.C :Frequency Counter

Transmitter



U.S. :Ultrasonic Sensor

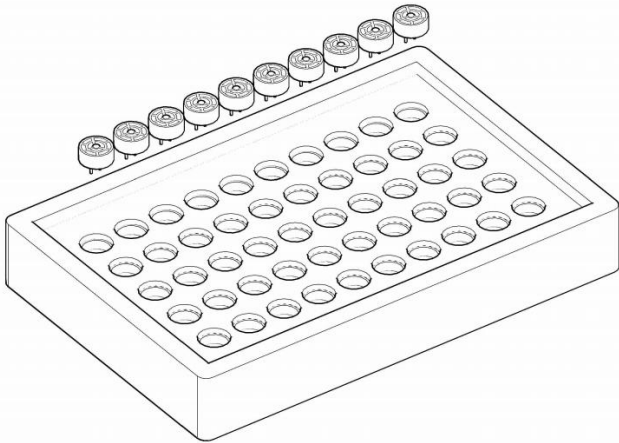
S.C.M:Standard Cappacitor Microphone

Amp. :Amplifier

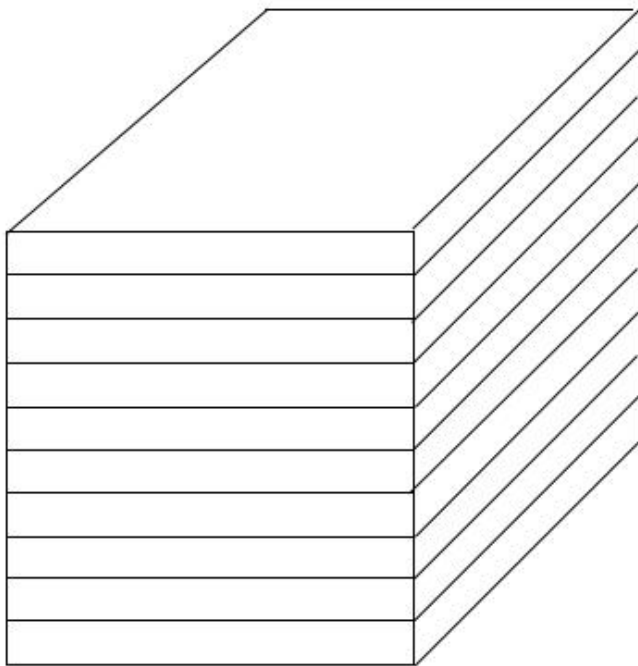
Input voltage: 10Vrms

F.C :Frequency Counter

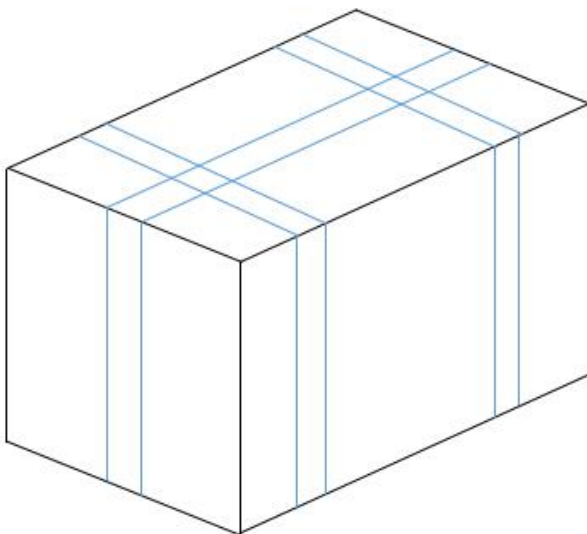
PACKAGING DETAILS



50PCS/BOX
BOX SIZE:24*16*3CM



10BOXES/STACK, TOTAL 500PCS
STACK SIZE:24*16*24CM



2000PCS/CARTON
CARTON SIZE:48*28*32CM