

DESCRIPTION: Ultrasonic Sensor
MODEL: MSO-A1625H12TR

FEATURES

Dual Use: Transmitter/Receiver
 Compact and light weight.
 High sensitivity and sound pressure
 Less power consumption
 High reliability

PICTURE:

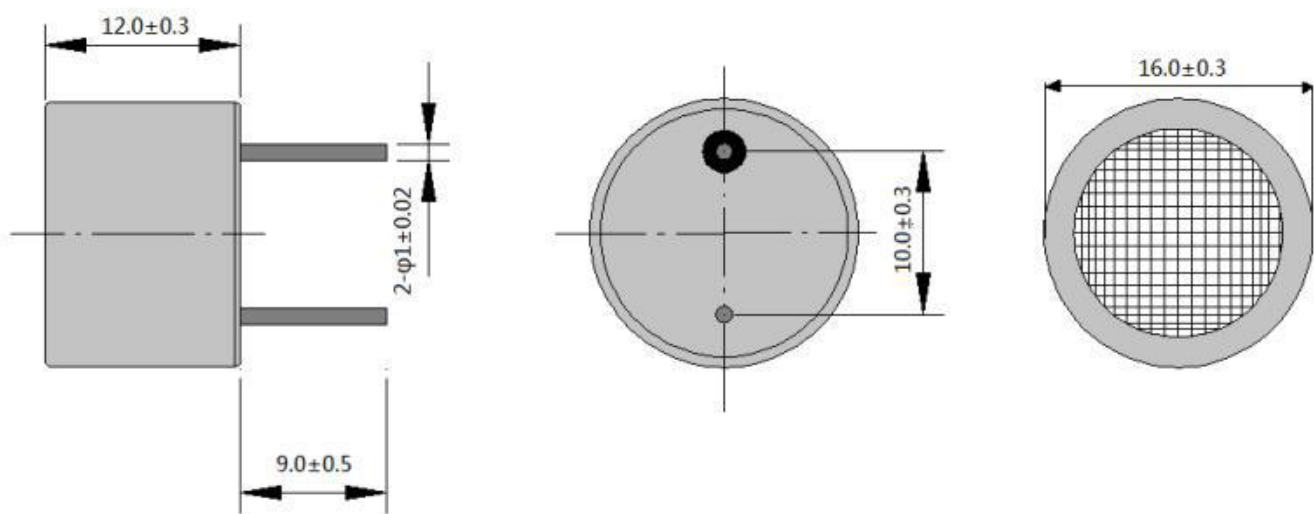


SPECIFICATIONS

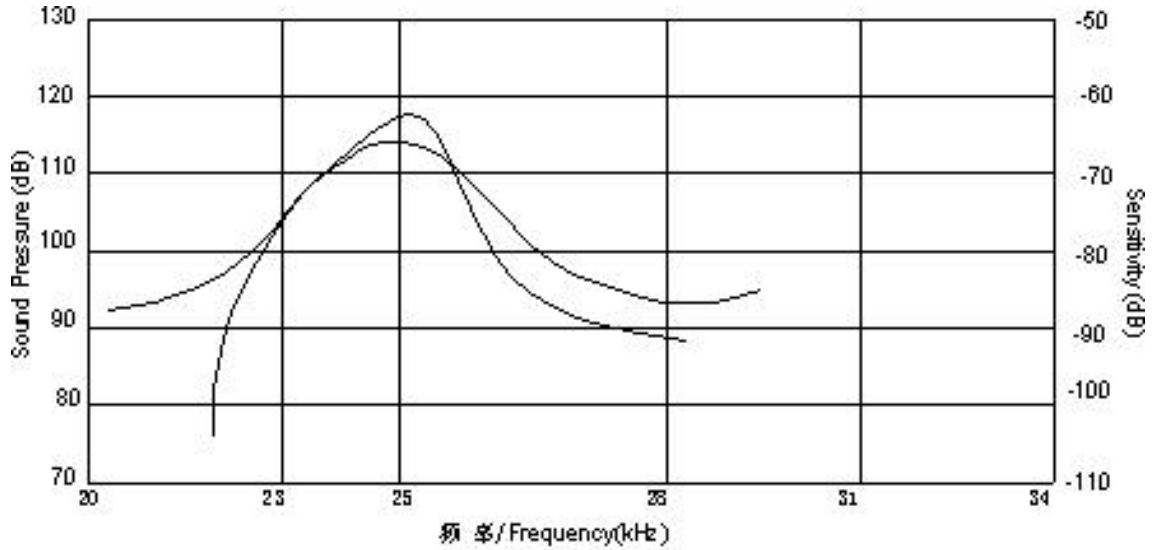
Item	Value
Using method	Transmitter/Receiver
Center frequency	25±1KHz
Sound pressure level	115dB (10V/30cm/sine wave)
Sensitivity	≥-68dBV/μMbar
Directivity	80deg
Capacitance	2600pF±20%@1KHz
Operating temperature	-30 to +85℃
Response time for receiver	Max 1.2
Measure distance	0.2~12m
Metals of case	Aluminum
Weight	2.0g

MECHANICAL DRAWING

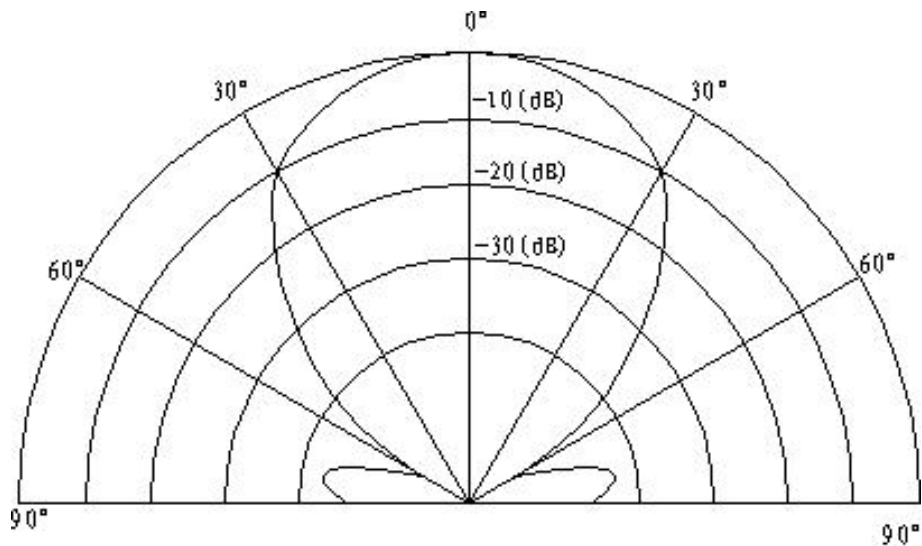
units:mm



BEAM PATTERN



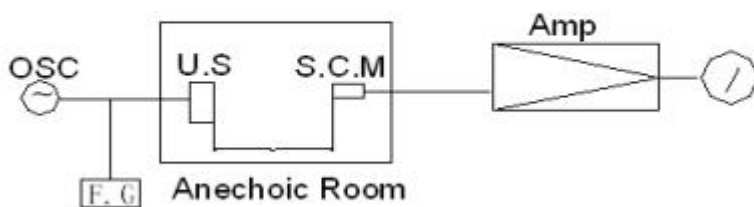
频率特性图/Frequency Characteristics



Directivity in Overall Sensitivity

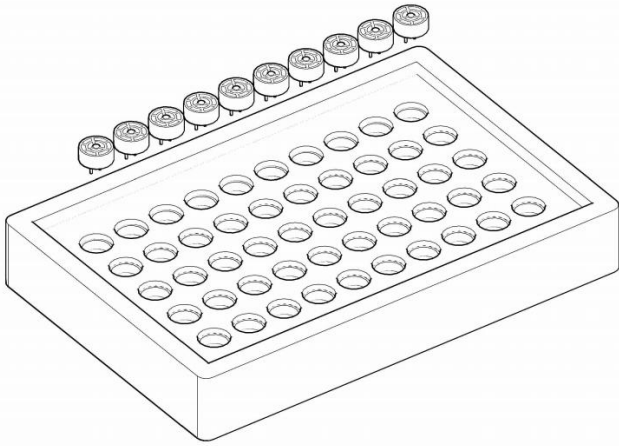
TEST CIRCUIT

Transmitter

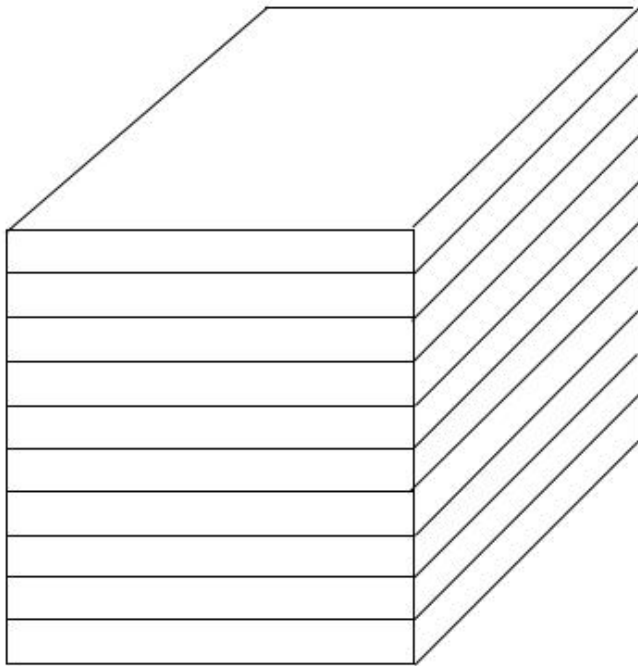


U.S :Ultrasonic Sensor
 S.C.M:Standard Cappacitor Microphone
 Amp. :Amplifier
 Input voltage: 10Vrms
 F.C :Frequency Counter

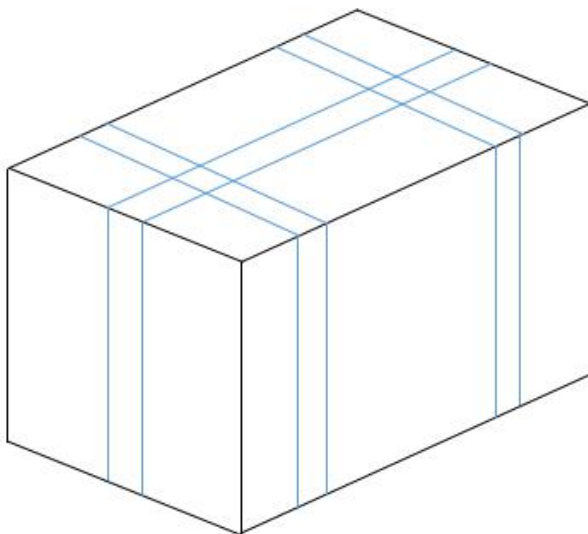
PACKAGING DETAILS



50PCS/BOX
BOX SIZE:24*16*3CM



10BOXES/STACK, TOTAL 500PCS
STACK SIZE:24*16*24CM



2000PCS/CARTON
CARTON SIZE:48*28*32CM