

DESCRIPTION: Ultrasonic Speaker
MODEL: MA3825

FEATURES

1. Waterproof
2. Good consistency
3. Good performance consistency

APPLICATIONS

1. Repel animals, For example: mice, snakes, mosquitoes, insects, etc.

PICTURE:

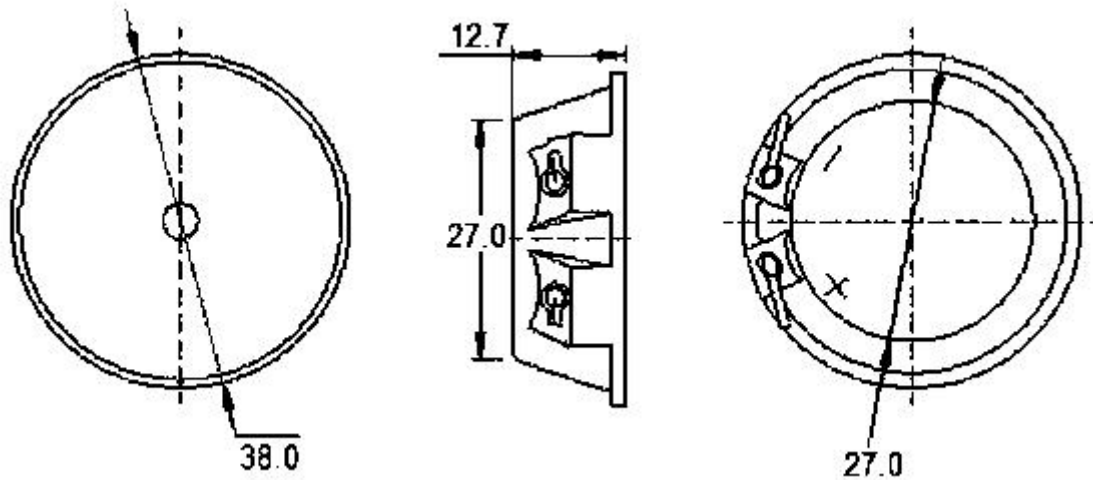


SPECIFICATIONS

Item	Value
Operating Frequency	25±5KHz
Resonant Frequency Range	2.5~60KHz
Operating Volt.	2.21~11.32Vrms
Rated Volt.	8.48Vrms
Capacitance	100000±30%pF(at 100Hz)
Sound pressure level	≥ 100dB(at 8.48Vrms sine wave /10cm)
Current consumption	≤ 2mA(at 8.48Vrms)
Dimension	Φ38 x H12.7
Housing material	ABS
Paper Cone	Mylar cone
Operating temp.	-20 ~ +70°C
Storage temp.	-30 ~ +80°C

MECHANICAL DRAWING

units:±0.5mm



FREQUENCY RESPONSE CURVE

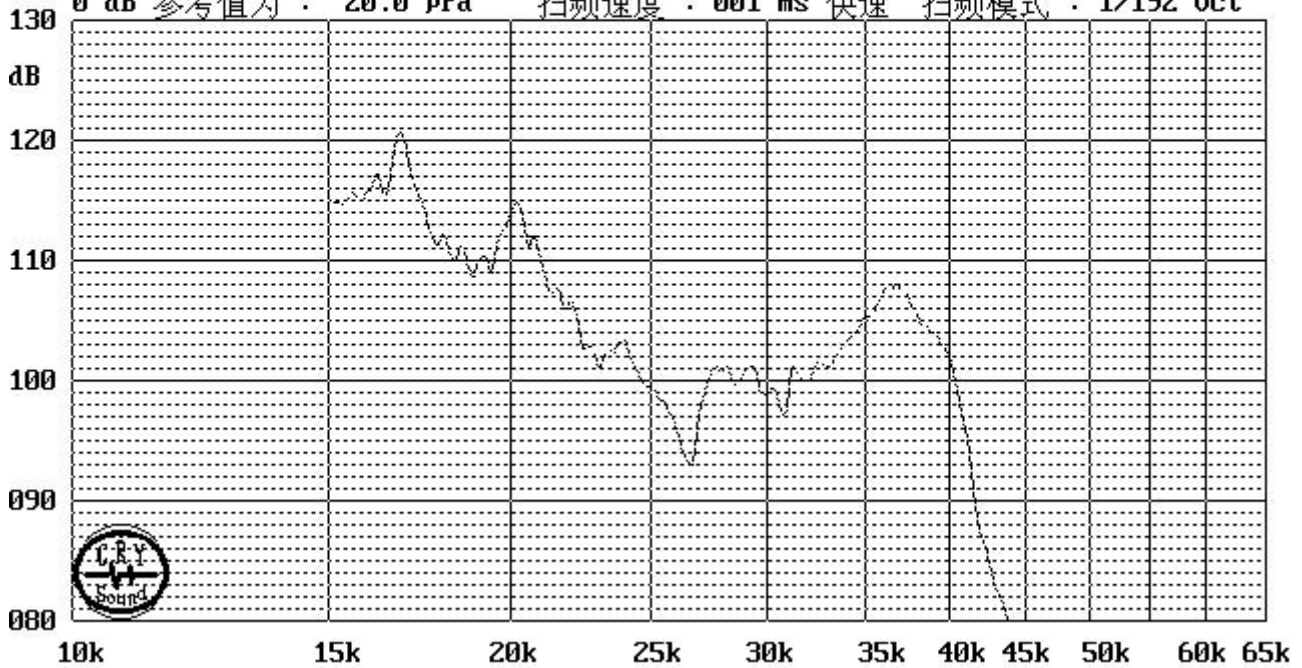
01/24/2022 15:36

CRY6125FH 蜂鸣器电声参数测试仪 V91

无框 滤波器无

型号: _____ → 发送 T: _____ 接收 R: _____ 阻抗 Z: _____
 电压: 8485 mV Fc= 40000Hz 102.02dB Fc= 40000Hz _____ dB Fv= _____ Hz _____ Ω
 正弦波 Fo= 16788Hz 120.57dB Fo= _____ Hz _____ dB Fo= _____ Hz _____ Ω

0 dB 参考值为: 20.0 μPa 扫频速度: 001 ms 快速 扫频模式: 1/192 Oct



PACKAGING DETAILS

